

# All Green Lighting, Inc.

## INDI Series

### Installation Manual

### LED High Mast Flood Light

---

#### Electricians must read prior to installation



#### Warning: Risk of electric shock

- Product must be installed by licensed electrician.
- Product designed for Industrial purpose only.
- Disconnect or turn off power before and during installation.
- Verify that supply voltage is same as rated luminaire voltage.



#### Warning: Risk of electric injury

- Wear gloves and safety glasses at all times whilst handling the luminaire.
- Avoid direct eye exposure to the light source while it is on.



#### Warning: Risk of burn

- Avoid touching any external surface of the luminaire when in use.
- Allow the luminaire to cool before handling.
- Follow all manufacturer's warnings, recommendations and restrictions.



#### Caution: Risk of fire

- Keep combustible materials away from luminaire.
- Do not operate in close proximity to persons, combustible materials or substances affected by heat.
- Building insulation must not cover this luminaire.



#### Caution: Risk of product damage

- Remove protective film on reflector lens and luminaire.
- If the external flexible cable or plug of the luminaire is damaged, return to manufacturer for repair or replacement.
- Ensure the product is not exposed to heat, chemicals or sharp objects.
- If the product is damaged, contact the supplier for maintenance or replacement to avoid hazards.
- Do not mount or support luminaire in a manner that can cut the outer sheath or damage wire insulation.
- Only use the luminaire in its intended location.
- Electrostatic Discharge (ESD): ESD can damage LED fixtures. Personal grounding equipment must be worn during installation of the luminaire.

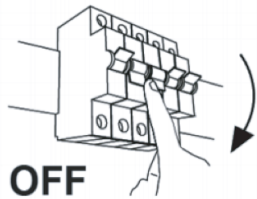


# Installation Procedure

## Recommended method of installation

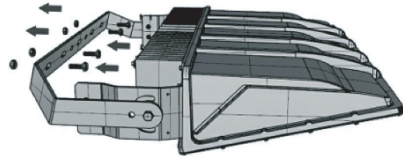
### Step 1

Disconnect the power to the circuit before commencing installation



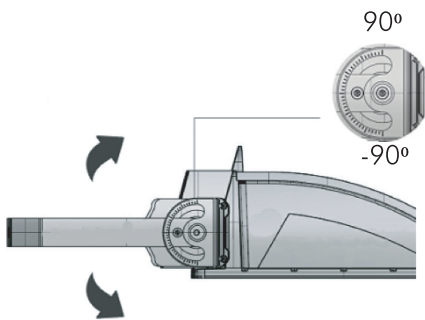
### Step 2

- Choose the location to install the luminaire
- Mark the position of drill holes through the U-shaped bracket of the luminaire at desired installation location
- Drill the holes and fix the luminaire into position using M10 screws



### Step 3

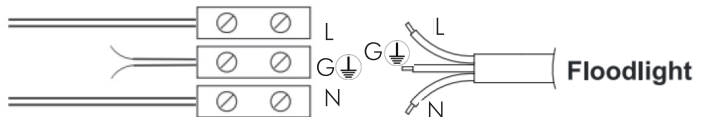
Adjust the angle of the luminaire through side screws of the luminaire bracket, as shown:



### Step 4

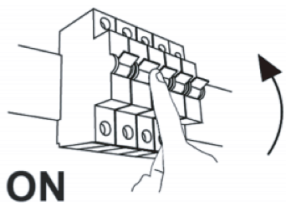
Connect the terminals from the luminaire to IP66 rated terminal block, as follows:

- Connect green/yellow earth wire to the earth terminal (G)
- Connect the brown live wire (L) to the live terminal
- Connect the blue neutral (N) to the neutral terminal



### Step 5

Reconnect power to the circuit



## Disclaimers

1. This product must be installed and used as per these instructions.
2. This product is not suitable for installation in hazardous and/or corrosive areas.
3. This product has been designed to operate in ambient temperatures: -30°C to 50°C

