

DOB-C (Driver on Board) Series

Product Description:

The **DOB-C** (Driver on Board-Canopy) series utilizes innovative **Driver on Board** technology in a LED canopy luminaire. By providing the benefits of the latest in driver technology, the DOB-C has become one of the most efficient and reliable luminaires in the market. The improved design eliminates some of the parts and much of the weight of traditional canopy luminaires making installation much easier. Less parts means less production cost, which results in better pricing and lower quotes. The DOB-C Series is the better alternative for traditional LED canopy fixtures, providing quick payback and improved performance.

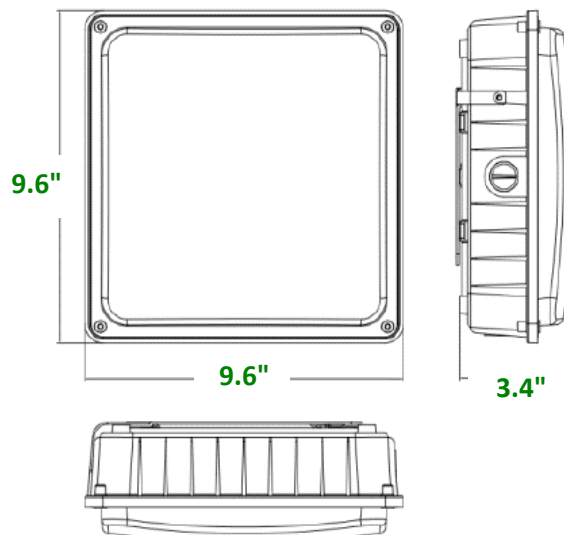


Specifications:

- **Operating Voltage:** 120V, 240V, 277V
- **CCT:** 3000K - 57000K
- **ETL Listed, suitable for wet locations**
- **Finish:** Exterior parts are protected by a Super Durable powder coat finish that provides superior resistance to corrosion and weathering. The multi-stage process ensures a minimum 3 mils thickness for a finish that can withstand extreme climate changes without cracking or peeling. The luminaire is then tested in accordance with ASTM Standard B 117 (3,000 hour salt fog spray test).
- **Warranty:** 5 year standard warranty on components (100,000 hours)
- **Operating Temperature:** -40°F ~ 140°F
- **Dimming:** 0-10V dimming capabilities. Controls by others.
- **RoHS** Dark Sky Compliant
- **Power Factor:** >0.9
- **Total Harmonic Distortion:** <20% at full load
- **CRI:** 70
- **Surge Protection:** Integral 10kV surge suppression protection standard

Dimensions

9.6" L x 9.6" W x 3.4" H
5.73 lbs

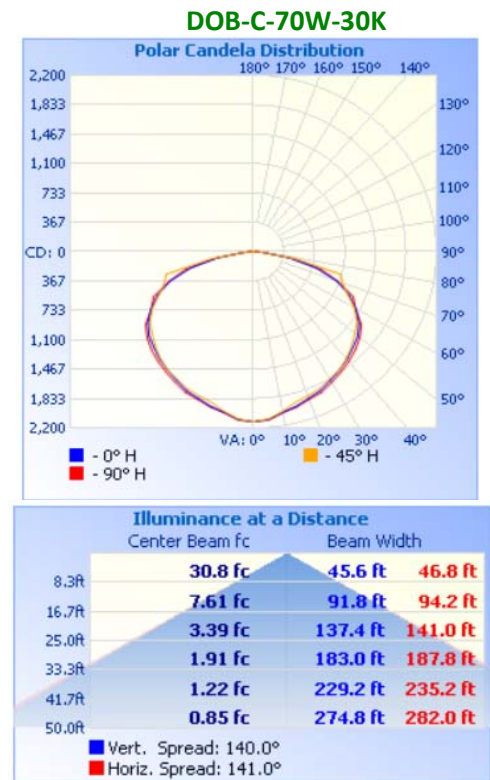
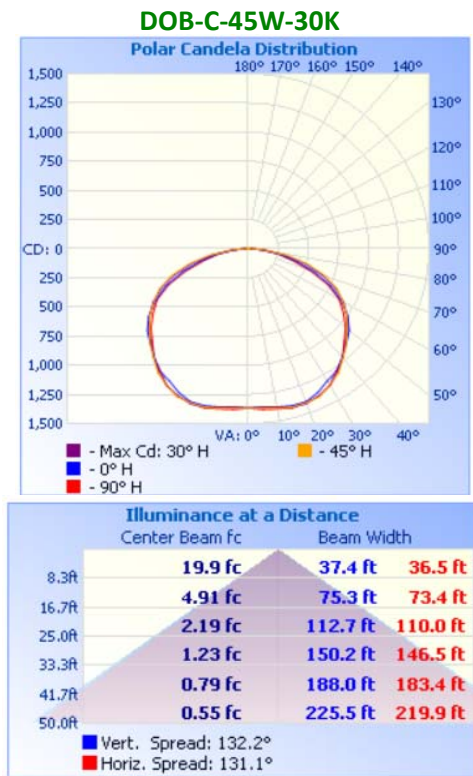


Lumen Chart:

Model	LED Current	3000K		4000K		4500K		5000K		5700K	
		Lumens	LPW	Lumens	LPW	Lumens	LPW	Lumens	LPW	Lumens	LPW
DOB-C-45W	70mA	5,165	115	5,142	114	5,185	115	5,180	115	5,275	117
DOB-C-70W	70mA	7,853	112	7,940	113	7,980	114	8,020	114	8,140	116

Lumen values are from photometric tests performed in accordance with IESNA LM-79-08. Data is representative of the configuration shown above and actual performance may differ as a result of end user environment and application.

Photometrics:



To view complete photometric reports or download IES files - please visit our website www.AllGreenLightingInc.com

Ordering Guide:

DOB-C-45W	BR	120V	40K	130°	
Wattage: 45W 70W	Color: BR: Bronze BL: Black GR: Gray	Voltage: 120V 240V 277V	CCT: 3000K 4000K 4500K 5000K	Beam Angle: 130°	Optional Accessories: DM: 0-10V dimming MS: Motion sensor