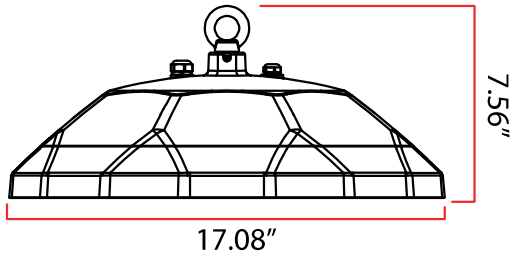


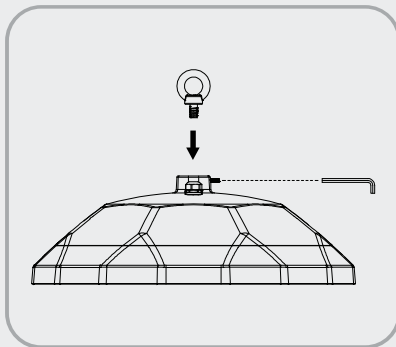
Dimension



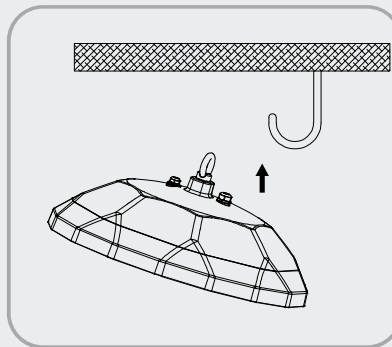
	80W-200W
Outlook Dimensions	Φ17.08"*7.56"

Installation

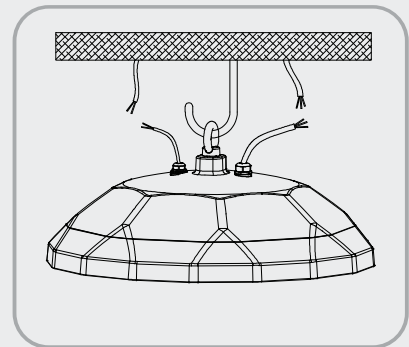
Hanging Ring Installation



1. Fix the ring to the lamp (rotate clockwise), tighten the screw

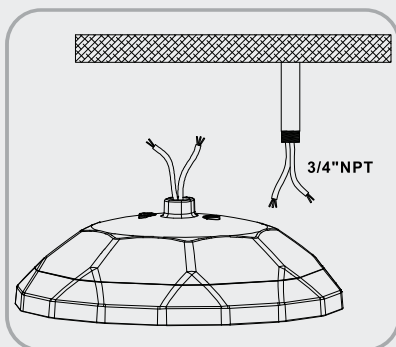


2. Put the ring into the mounting hook

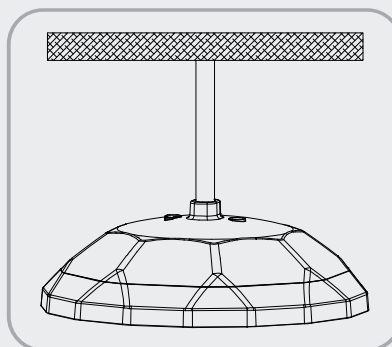


3. Wired as required under safety protection

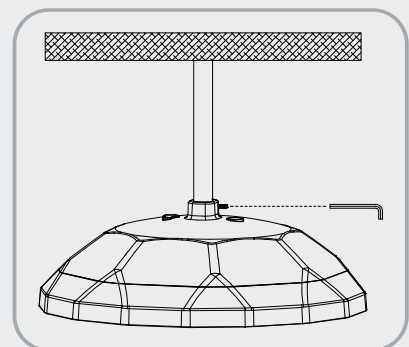
Pendant (3/4" NPT) installation



1. Wired as required under safety protection



2. Rotate the lamp to the mounting pipe (rotate clockwise)



3. tighten the screw