

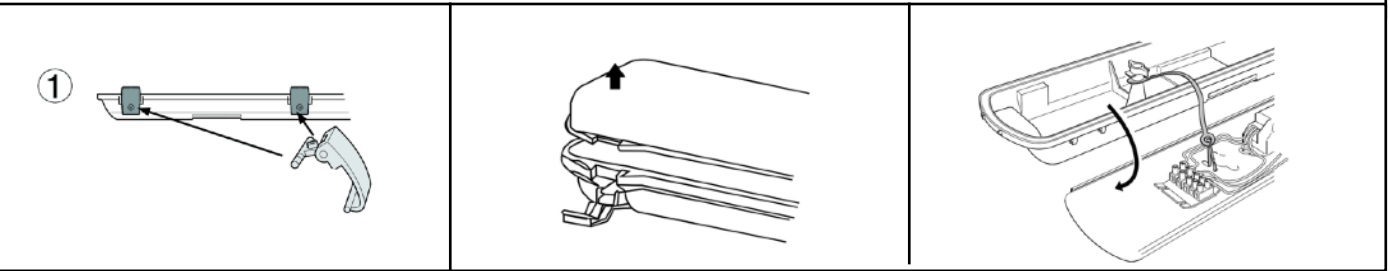
LED VAPOR PROOF LIGHT

Installation Guide

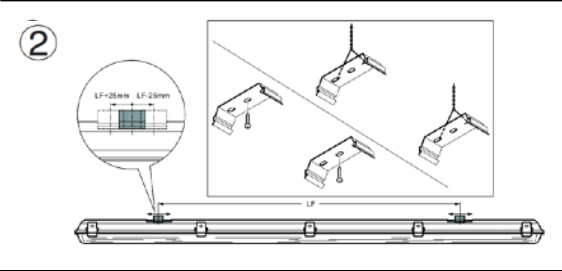


1. Turn power off before inspection, installation or removal.
2. The installation should be performed by qualified electricians or lighting technicians.
3. Before conducting any installation, maintenance, or removal, disable all power to the luminaries and wait until the fixture cool down.
4. Do not touch the fixture while it is in service.
5. If there is any problem with the fixture, DO turn off power and DO NOT attempt repair unless you are a qualified technician or the customer service member.

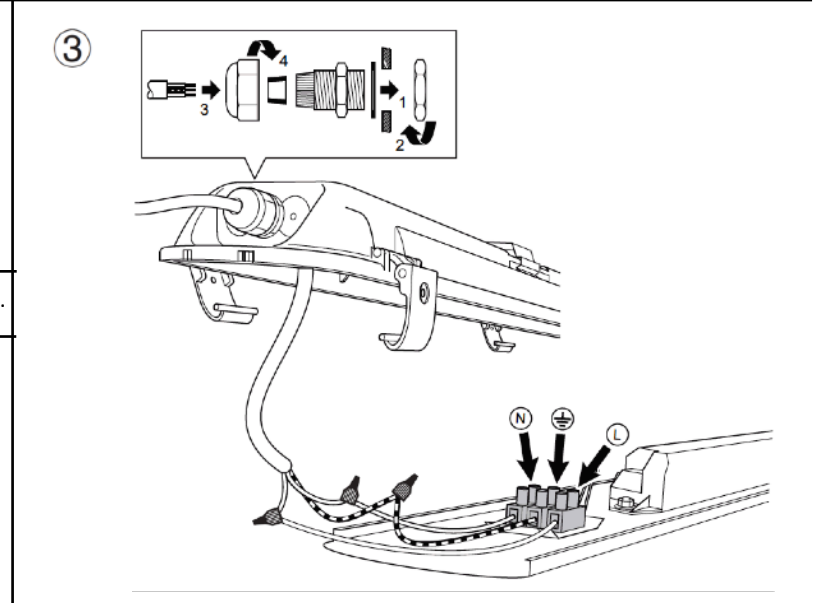
Carefully remove the PC cover through opening the metal clips, then remove the aluminum plate through rotating the plastic knob.



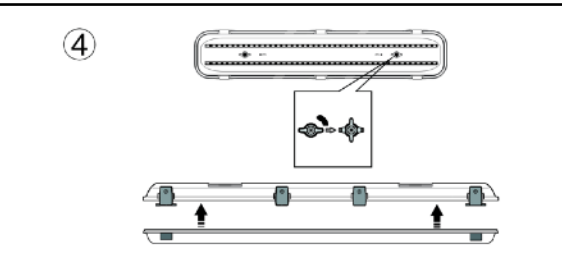
Screw two pieces metal bracket (packed in the accessory bag) to ceiling, install the housing to the metal bracket.



Install the end cap, connect wiring to the terminal block through the cable entry hole.



Re-install the aluminum plate and PC cover to the housing.



Fasten the metal clips, then it is safe to operate the light.

