

# INSTALLATION

## All Green Lighting, Inc. CAPRICORN-B Fixture assembly

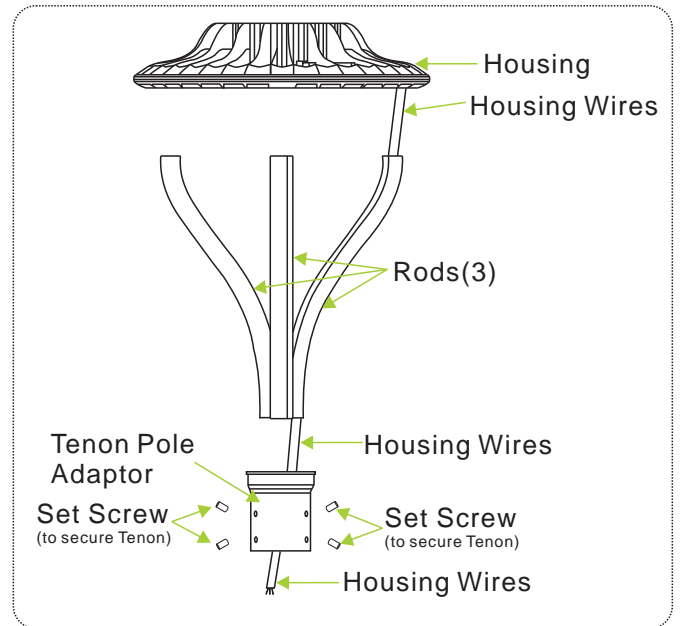
Step1: Feed the (3) Housing wires through one of the three Rods.

Step2: Clip the (3) Rods onto the Housing. Be sure the Housing clips are properly engaged onto the Rods.

Step3: Feed Fixture Wires through the Tenon Pole Adaptor.

Step4: Slide Tenon Pole Adaptor on three Rods. Be sure the notches face the inside of the Tenon Pole Adaptor.

Step5: Tighten the (3) Set Screws at the Tenon Pole Adaptor to secure Rods.

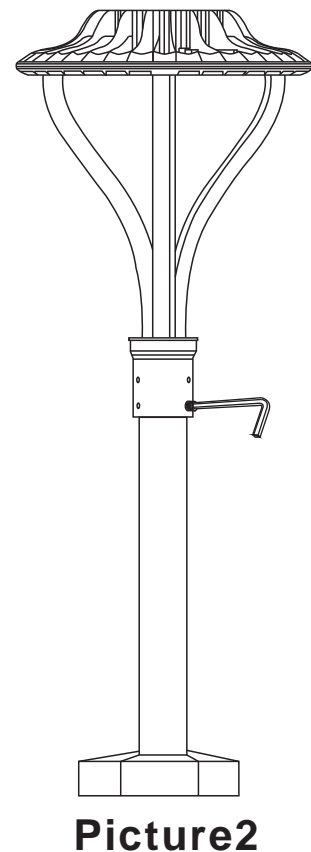
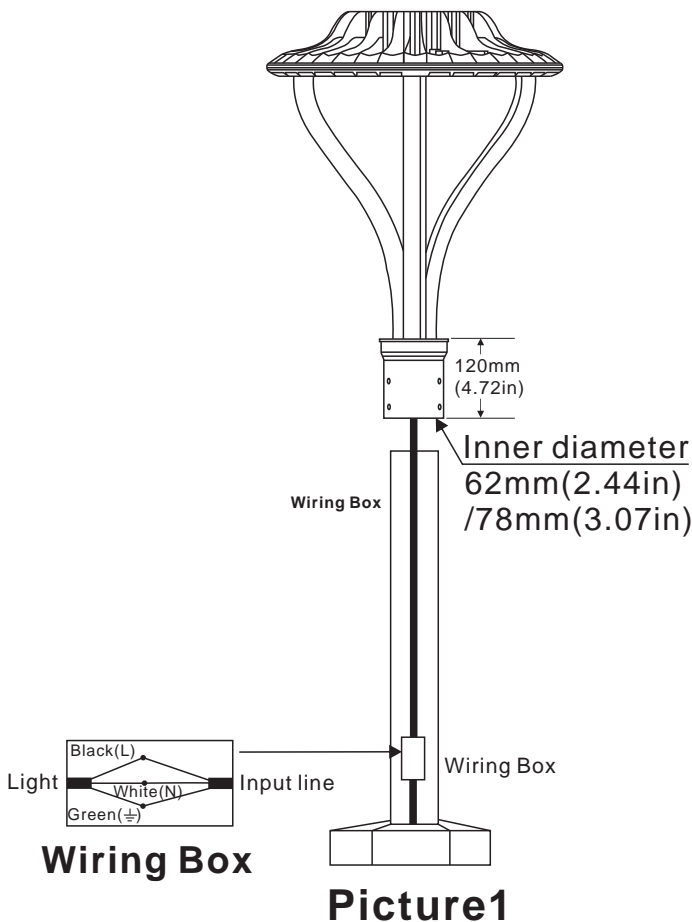


## Pole mounting

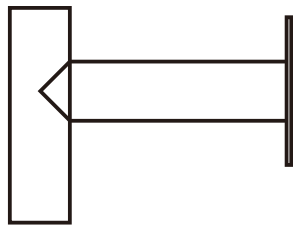
Step1: Turn off the power before installation.

Step2: Wiring right in the wiring box ("Black" is connected to "L", "White" connect to "N", "Green" to "Ground") and set the lamp into the bracket by the hole. (picture1).

Step3: We should fasten the four screws with a hex wrench, and finished (picture2).



## Wall mounting



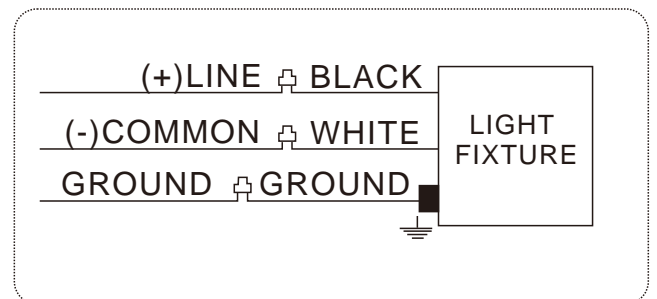
Wall bracket



## Wiring

Universal voltage driver permits operation at 100- 277VAC, 50/ 60Hz.

1. Connect the black fixture lead to the (+) LINE supply lead.
2. Connect the white fixture lead to the (-) COMMON supply lead.
3. Connect the green Ground wire from fixture to supply ground.



## Optional Accessories



Model A: Pole bracket



Model B: With sensor



Model C: Wall bracket