


EROS Series

Installation and use

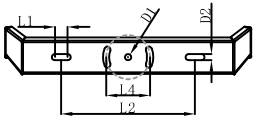
Yoke Bracket

01



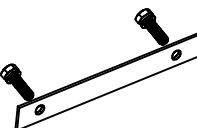
M 16*45mm

02

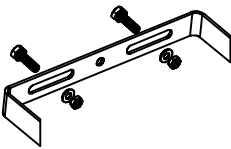


Power	D1	D2	L1	L2	L3	L4
400W	17mm	12.5mm	50mm	350mm	130mm	
1200W	17mm	17mm	50mm	350mm	130mm	
1800W	17mm	17mm	50mm	350mm	130mm	

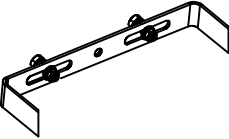
03




04

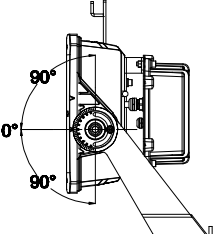


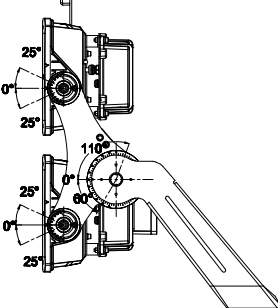
05

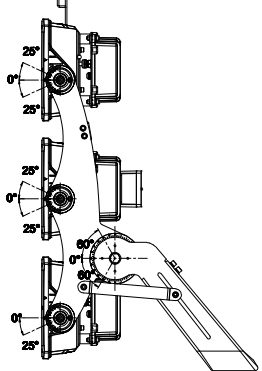


Brown(Black) --- L
 Blue(White) --- N
 Green/Yellow --- GND










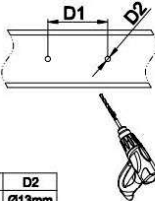
Rotatable Bracket

01



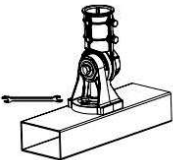
M12

02




D1	D2
80mm	Ø13mm


03



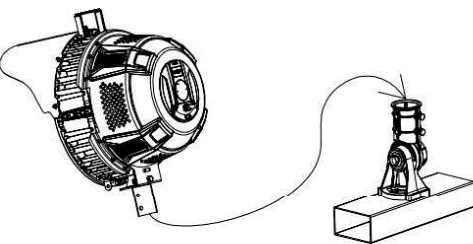
04




05



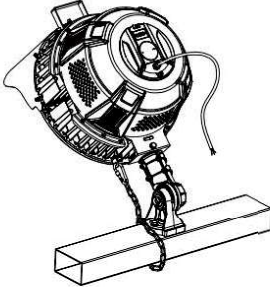
06



07



08



Packing Spec

Item	Box			Carton		
	Measurement(mm)	Gross weight	Pcs/box	Measurement(mm)	Gross weight	Pcs/box
EROS 400W/500W/600W	L685*W490*H265	20.5kg(45.2lbs)	1	/	/	/
EROS 800W/1000W/1200W	L935*W715*H320	38.0kg(83.8lbs)	1	/	/	/
EROS 1500W/1800W	L1190*W725*H365	65kg(143lbs)	1	/	/	/