

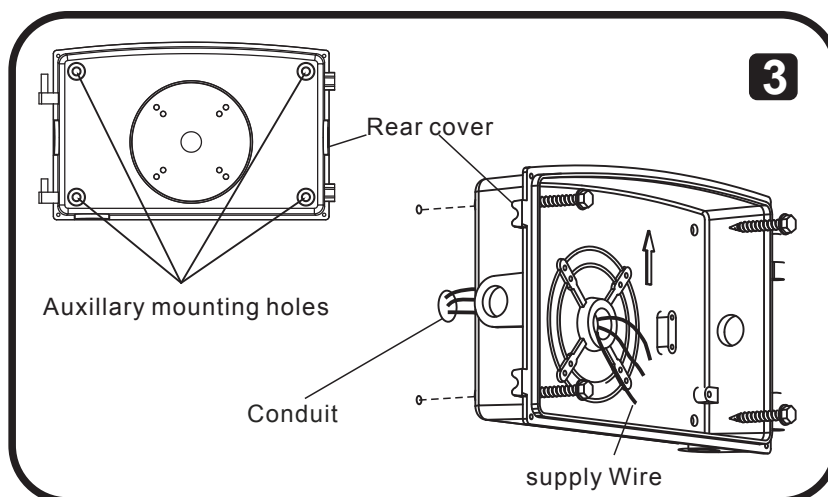
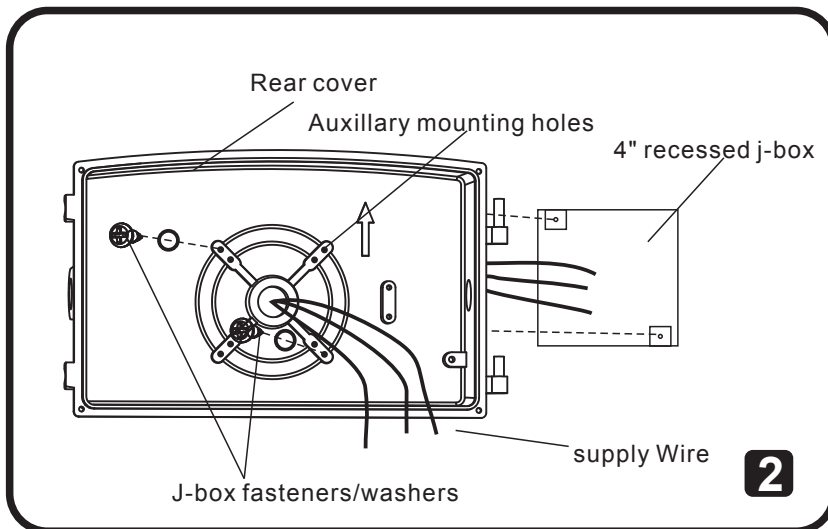
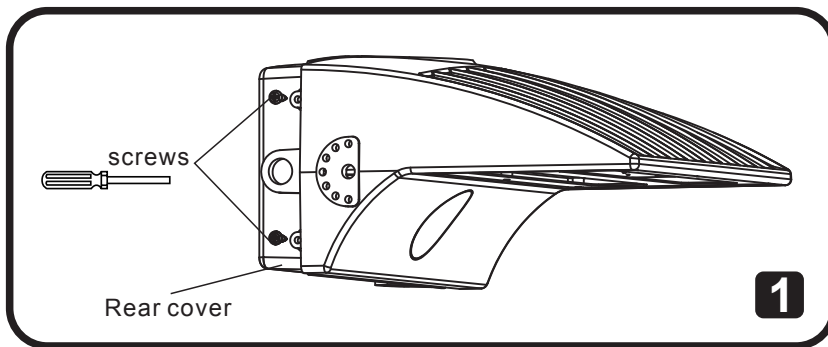
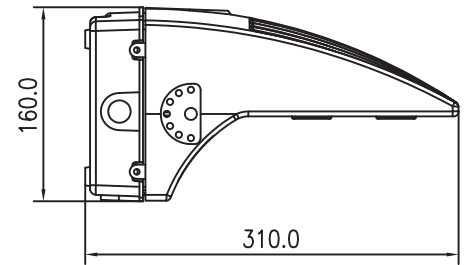
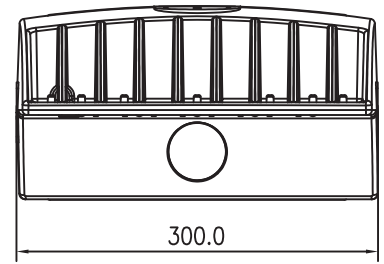
IMPORTANT SAFEGUARDS

When using electrical equipment, basic safety precautions should always be followed including the following:

READ AND FOLLOW ALL SAFETY INSTRUCTIONS

1. To reduce the risk of electrical shock, turn off power supply before installation or servicing.
2. This luminaire must be installed in accordance with the NEC or your local electrical code. If you are not familiar with these codes and requirements, consult a qualified electrician.
3. If NEMA photo control is installed refer to NEMA Receptacle section for instructions.
4. Verify the availability of necessary tools and incidental material.

TO INSTALL



LUMINAIRE INSTALLATION

STEP 1 (Figure 1):

Remove two screws and remove the rear cover of the luminaire .

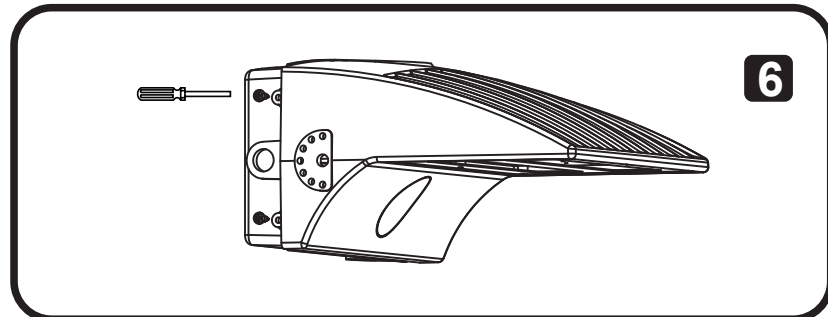
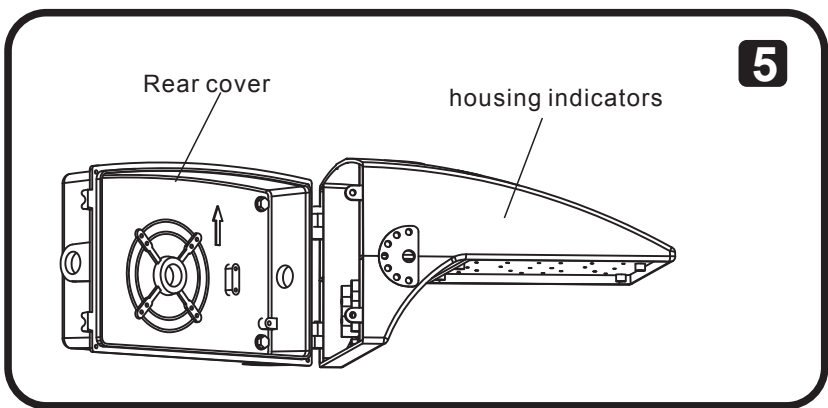
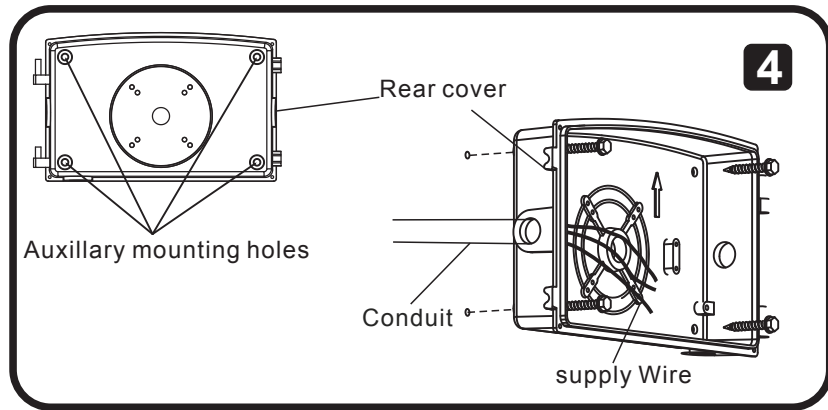
STEP 2-1 (Onto a recessed 4" rectangular/ octagonal J-Box) (Figure 2):

1. Verify that supply power is off and that the j-box is securely mounted within the structural surface.
2. Remove both j-box fasteners from j-box (set aside for re-installation as needed).
3. Drill holes as j-box required on the rear cover.
4. Position Rear cover over j-box feeding supply wires thru the center of the Rear cover and slit in gasket. Replace fasteners from Step 2 (do not fully tighten).
5. Using a contractor level, ensure Rear cover is level and fully tighten fasteners (using washers as required to ensure a secure fit).

STEP 2-2 (Conduit-stub up)(figure3):

1. Drill holes on the rear cover as auxillary mounting holes.
2. Verify that supply power is off . Using a contractor level, ensure rear cover is level and mark mounting surface thru selected auxillary mounting holes.
3. Drill holes as marked in step 1 and install appropriate mounting inserts capable of handling fixture load requirements.
4. Feed supply wires thru the center of the rear cover and slit in gasket.
5. Ensure rear cover is level. Fully tighten fasteners (For Wet Location compliance, fixture must be properly sealed! For moisture seal, apply silicone caulking the Screw holes).

TO INSTALL:



LUMINAIRE INSTALLATION

STEP 2-3(Conduit-surface)(Figure 4):

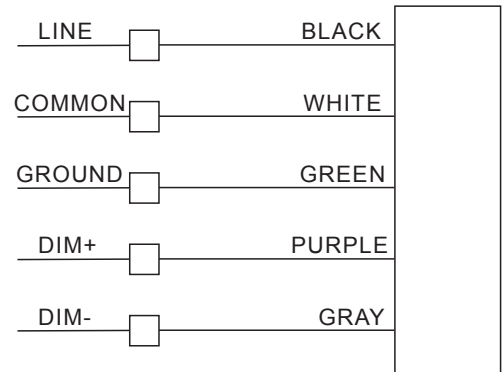
1. Drill holes on the rear cover as auxillary mounting holes.
2. Verify that supply power is off . Using a contractor level, ensure rear cover is level and mark mounting surface thru selected auxiliary mounting holes.
3. Drill holes as marked in step 1 and install appropriate mounting inserts capable of handling fixture load requirements.
4. Ensure rear cover is level. Fully tighten fasteners (For Wet Location compliance, fixture must be properly sealed! For moisture seal, apply silicone caulking the Screw holes).
5. Attach ½" NPT conduit fittings using the appropriate EMT rain tight compression connections(not provided) onto the factory machined conduit entry opening.

STEP 3(Figure 5):

Fixture slightly upward, align fixture housing indicators with rear cover hooks and slip fixture back onto hooks.

STEP 4:

Make supply wire (power and dimming) to fixture wire connections as required thru splice access. Universal voltage driver permits operation at 120V thru 277V ,50 or 60 Hz. 0-10V control wires must be rated for 300V minimum. For 0-10V Dimming, follow the wiring directions as shown in figure below.



STEP 5(Figure 6):

Close the housing indicators to the rear cover and Fully tighten fasteners.

Troubleshooting: If this fixture fails to operate properly, check to make sure: The fixture is wired correctly. The fixture is grounded correctly. The line voltage at the fixture is correct. If all these variables have been checked and the fixture still does not operate as specified, contact your local distributor.

SENSOR(OPTION):

Master-to-master control (condominium control)

It offers 3 levels of light :100%-->dimmed light (10%, 20%,30%,40%, 50% optional)-->off; and 2 periods of selectable waiting time:motion hold-time and stand-by period.



With insufficient nature light,the person comes from any direction, the group of lamps switch on.

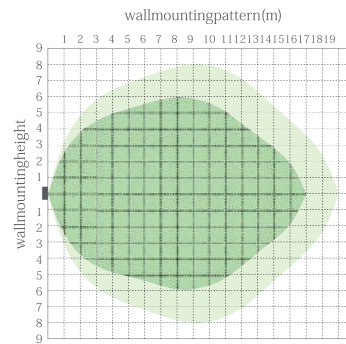
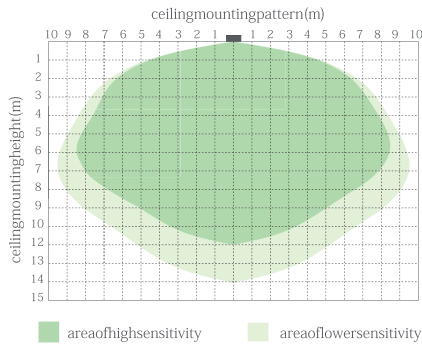


After the hold time,the whole group of lamps dims to predefined dimming level when no movement detected.



After the stand-by period,the whole group of lamps switches off automatically.

Detection Pattern



Settings

1 Detection area

Detection area can be reduced by selecting the combination on the DIP switches to fit precisely for each specific application.

2 Hold-time

Hold-time means the time period you would like to keep the lamp on 100% after the person has left the detection area.

3 Daylight sensor

The daylight threshold can be set on DIP switches, to fit for particular application.

4 Stand-by period(corridor function)

This is the time period you would like to keep at the low light output level before it is completely switched off in the long absence of people.

note: 0 means on/off control;

+ ∞ means 2 steps of dimming control, fixture never switch off.

5 Stand-by dimming level

This is the dimmed low light output level you would like to have after the hold-time in the absence of people.

	1	2	
I	●	●	100%
II	●	○	75%
III	○	●	50%
IV	○	○	10%

- I – 100%
- II – 75%
- III – 50%
- IV – 10%

	1	2	3	
I	●	●	●	5s
II	●	○	○	30s
III	○	○	●	1min
IV	○	○	○	5min
V	○	○	○	10min
VI	○	○	○	20min
VII	○	○	○	30min

- I – 5S
- II – 30S
- III – 1min
- IV – 5min
- V – 10min
- VI – 20min
- VII – 30min

	1	2	
I	●	●	Disable
II	●	○	50Lux
III	○	●	10Lux
IV	○	○	2Lux

- I–Disable
- II–50Lux
- III–10Lux
- IV–2Lux

	1	2	3	
I	●	●	●	0s
II	●	○	○	10s
III	○	○	●	1min
IV	○	○	○	5min
V	○	○	○	10min
VI	○	○	○	30min
VII	○	○	○	1h
VIII	○	○	○	+∞

- I – 0s
- II – 10s
- III – 1min
- IV – 5min
- V – 10min
- VI – 30min
- VII – 1h
- VIII – +∞

	1	2	
I	●	●	10%
II	●	○	20%
III	○	●	30%
IV	○	○	50%

- I – 10%
- II – 20%
- III – 30%
- IV – 50%

Wiring diagram

