

Product Description:

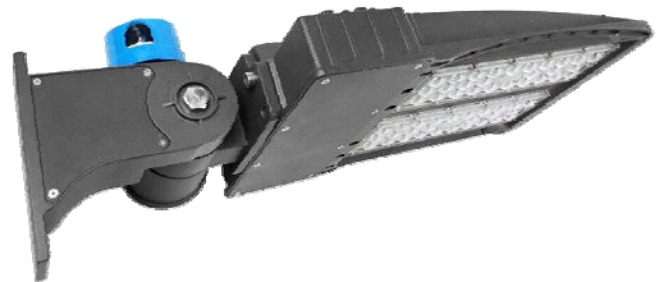
The NASTRO Series provides excellent lighting and has been lab tested in accordance with IES standards. This fixture is also highly resistant to vibration and shock. The luminaire can be installed with a straight-arm, trunnion, or slipfitter mount. The Nastro Series offers instant-on and instant-restrike and is compatible with either the Meanwell or Sosen driver.

Features:

- **Materials:** Cast Aluminum and PC
- **Warranty:** 5 Years
- **Mounting:** Slipfitter, Trunnion, Straight Arm
- **Operating Temperature:** -22°F ~ 122°F
- **Long Life:** 100,000+ hours at L70 standards
- **Application:** LED Shoebox for urban roads, industrial areas, residentials, parking lots, etc.

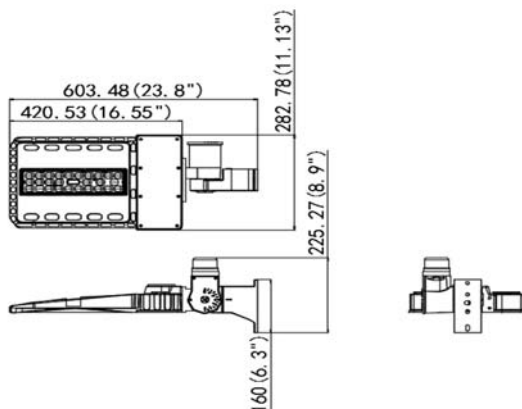
Technical Data:

LED Source	Lumileds
CRI	≥ 70
IP Rating	IP65
CCT	3000K ~ 5700K
Input Voltage	120-277V / 277-480V

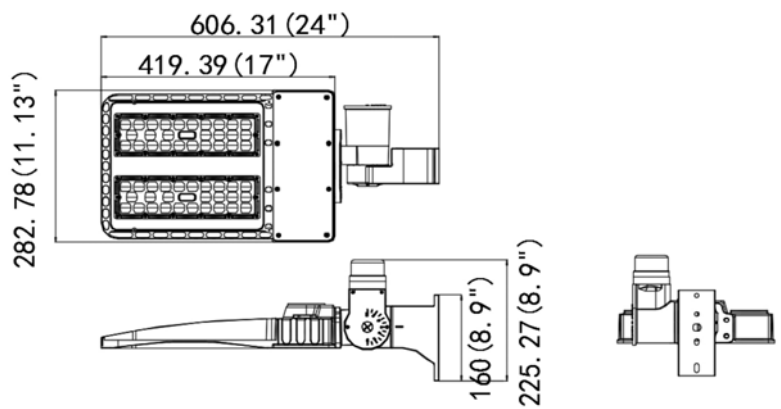


Dimensions:

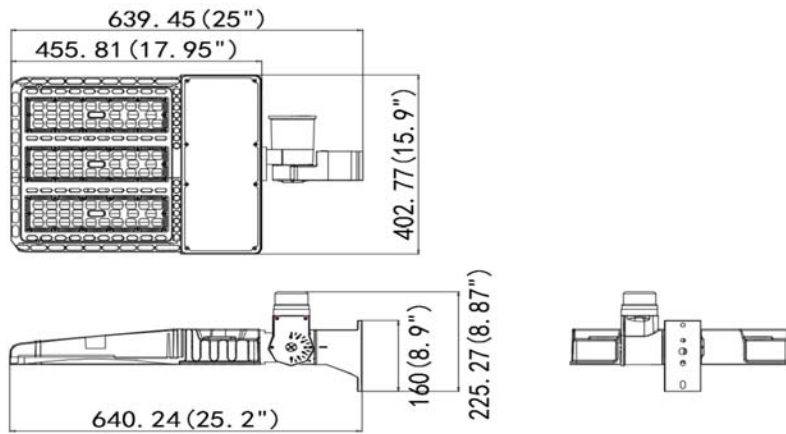
NASTRO 60W-100W



NASTRO 150W-200W

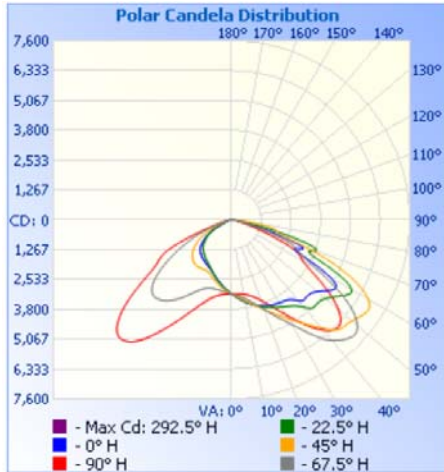


NASTRO 300W



Photometrics

NASTRO-150W-T3



Distance	Illuminance at a Distance	
	Center Beam fc	Beam Width
9.7ft	33.4 fc	19.8 ft 31.5 ft
19.3ft	8.43 fc	39.4 ft 62.6 ft
29.0ft	3.73 fc	59.1 ft 94.0 ft
38.7ft	2.10 fc	78.9 ft 125.5 ft
48.3ft	1.35 fc	98.5 ft 156.6 ft
58.0ft	0.93 fc	118.3 ft 188.1 ft

■ Vert. Spread: 91.1°
■ Horiz. Spread: 116.7°

Specifications:

Fixture Model	Total Lumens	Efficacy (lm/w)	Weight (lbs)	EPA	LED Source	Dimensions (inch)	Qualifications on 50K, T-III & T-V 57K, T-III & T-V	Beam Angle
NASTRO-60W	8,876.8 lm	>148	9.9	1.75	Lumileds	23.8 x 11.1 x 8.9	UL	Type II Type III Type IV Type V
NASTRO-100W	13,669.5 lm	>137	9.9	1.75	Lumileds	23.8 x 11.1 x 8.9		
NASTRO-150W	21,447.3 lm	>143	13.2	1.75	Lumileds	24.0 x 11.1 x 8.9		
NASTRO-200W	26,768.7 lm	>134	16.5	1.75	Lumileds	24.0 x 11.1 x 8.9		
NASTRO-300W	39,697.5 lm	>133	24.3	2.18	Lumileds	25.0 x 15.9 x 8.87		

Ordering Guide:

NASTRO-300W	120-277V	50K	BR	SL	Sosen	Type-V	
Wattage: 60W 100W 150W 200W 300W	Voltage: 120-277V 277-480V (100W-300W)	CCT: 30K 40K 50K 57K	Color: BR: Bronze	Mounting: SL: Slipfitter TR: Trunnion AR: Arm	Driver: Meanwell Sosen	Beam Angle: Type II Type III Type IV	Optional Accessories: [3PR][5PR][7PR]: 3/5/7 Pin Receptacle [SC]: Shorting Cap [HSS]: Housing Side Shield [DM]: 1-10V