

AGL ALL GREEN LIGHTING, INC.

VIVID High Mast/Roadway Series

Product Description:

The VIVID High Mast/Roadway Series is an exceptional product in both design and performance. Designed to meet high demand areas in harbors, rail yards, correctional facilities, shopping centers, ballparks, and other High Mast applications. Powerful Luxeon Lumileds 5050 LEDs provide an output up to 112,000 lumens, and an efficacy of up to 168 lum/w. The VIVID is also available in Type 2, 3, & 4 light distribution - making it ideal for Roadway applications. Calculated life span > 100,000 hours.



Features:

- **CRI:** 70
- **CCT range:** 2700K-5700K
- **Voltage:** 100-277V or 277-480V
- **Power Factor:** > .90
- **THD:** < 20%
- **Driver:** Inventronics
- **LEDs:** High Mast: Luxeon Lumiled 5050s provide 15°, 30°, & 60° symmetrical angles.
Roadway: Seoul Y22 LEDs provide Type 2, 3, 4 asymmetrical light distribution.
- **Lens:** Polycarbonate Lens standard. Glass lens available with Y22 LED chips, in Type 2 Short only.
- **Mounting:** Slipfitter mounting
- **IP Rating:** IP66 certified
Tested in accordance with ASTM D5894 (1,008 hour Salt Fog Spray Test).
- **SPD:** 20KV standard Surge Protection, compliant with ANSI/IEEE C62.41.2
- **Dimming:** Standard 0-10V Dimming
- **Vibration:** Certified to ANSI C136.31 3G vibration standards.
- **Operating Temp:** -40° to +122°F
- **Finish:** An ultra-durable powder coat finish provides excellent resistance to abrasion, corrosion, and ultraviolet degradation effects.
- **UL:** Certified to UL 1598, suitable for wet locations.
- **Warranty:** 10 year standard warranty on components (100,000 hours)

Test reports and certifications are available upon request:

IES files, photometric layouts, LM-79, LM-80, ANSI C-136 3G Vibration, ANSI C62.41.2 Surge Protection, ASTM B117 3,000 hour salt fog spray test, UL 1598, etc.



Specifications:

HIGH MAST

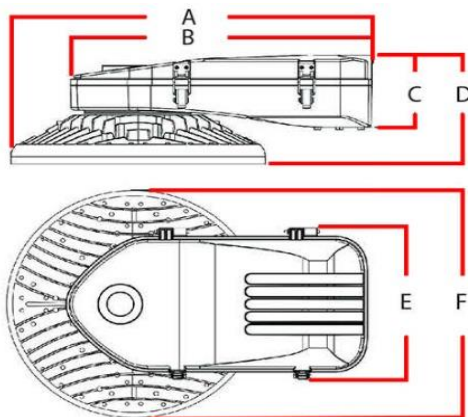
Model	LED Chips	15° / 5000K		30° / 5000K		60° / 5000K		Dimensions L x W x H	Weight lbs
		Lumens	Efficacy LPW	Lumens	Efficacy LPW	Lumens	Efficacy LPW		
VIVID-230W	5050	31,970	139 LPW	38,410	167 LPW	38,410	167 LPW	26" x 18.3" x 8.8"	40.8 lbs
VIVID-315W	5050	43,335	138 LPW	52,581	167 LPW	52,928	168 LPW		
VIVID-460W	5050	63,880	139 LPW	73,700	160 LPW	77,353	168 LPW	27.6" x 21.6" x 8.5"	45.0 lbs
VIVID-580W	5050	78,254	135 LPW	92,357	159 LPW	93,254	161 LPW		
VIVID-720W	5050	96,317	134 LPW	109,465	152 LPW	112,017	156 LPW		

ROADWAY

Model	LED Chips	Type 2 / 5000K		Type 3 / 5000K		Type 4 / 5000K		Dimensions L x W x H	Weight lbs
		Lumens	Efficacy LPW	Lumens	Efficacy LPW	Lumens	Efficacy LPW		
VIVID-230W	Y22	31,000	135 LPW	31,000	135 LPW	31,000	135 LPW	26" x 18.3" x 8.8"	40.8 lbs
VIVID-315W	Y22	42,892	136 LPW	42,889	136 LPW	42,848	136 LPW		
VIVID-460W	Y22	63,479	138 LPW	63,468	138 LPW	63,484	138 LPW	27.6" x 21.6" x 8.5"	45.0 lbs
VIVID-580W	Y22	77,706	134 LPW	77,703	134 LPW	77,713	134 LPW		
VIVID-720W	Y22	96,000	134 LPW	96,000	134 LPW	96,000	134 LPW		

*Lumen values are from photometric tests performed in accordance with IESNA LM-79-08. Data is representative of the configuration shown above and actual performance may differ as a result of end user environment and application.

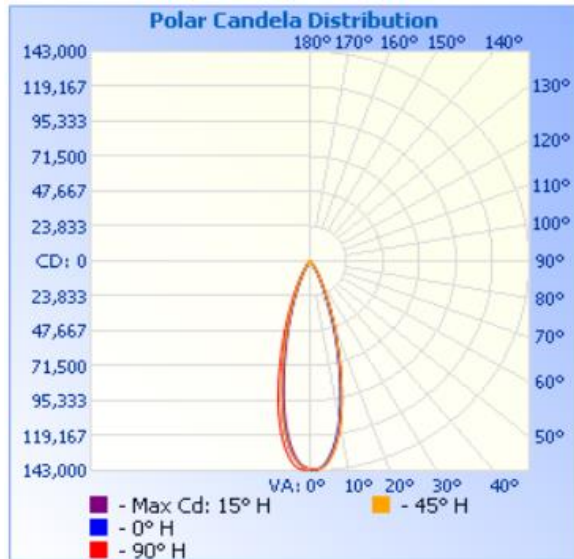
Dimension:



	A	B	C
230W 315W	66.4cm/26.0"	55.5cm/21.7"	14.9cm/5.8"
	D	E	F
	22.4cm/8.8"	31.4cm/12.3"	46.8m/18.3"
460W 580W 720W	A	B	C
	70.5cm/27.6"	55.5cm/21.7"	14.9cm/5.8"
	D	E	F
	21.8cm/8.5"	31.4cm/12.3"	55.0m/21.6"

Photometrics:

VIVID-315W-50K-30°

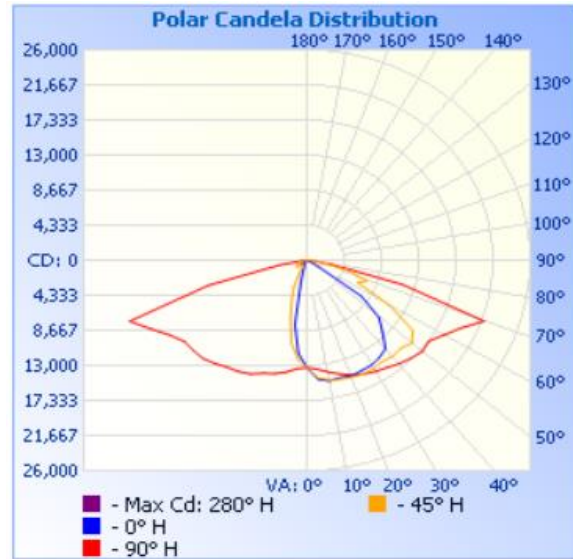


Illuminance at a Distance

	Center Beam fc	Beam Width	
8.3ft	2,060 fc	4.4 ft	4.7 ft
16.7ft	509 fc	8.8 ft	9.4 ft
25.0ft	227 fc	13.1 ft	14.1 ft
33.3ft	128 fc	17.5 ft	18.8 ft
41.7ft	81.6 fc	21.9 ft	23.6 ft
50.0ft	56.8 fc	26.3 ft	28.2 ft

Vert. Spread: 29.5°
Horiz. Spread: 31.5°

VIVID-315W-50K-T2



Illuminance at a Distance

	Center Beam fc	Beam Width	
8.3ft	192 fc	11.5 ft	58.0 ft
16.7ft	47.5 fc	23.1 ft	116.7 ft
25.0ft	21.2 fc	34.5 ft	174.7 ft
33.3ft	11.9 fc	46.0 ft	232.7 ft
41.7ft	7.62 fc	57.6 ft	291.5 ft
50.0ft	5.30 fc	69.0 ft	349.5 ft

Vert. Spread: 69.2°
Horiz. Spread: 148.1°

To view complete photometric reports or download IES files - please visit our website www.AllGreenLightingInc.com

Ordering Guide:

VIVID-580W	SL	100-277V	50K	30°	
Wattage: 230W 315W 460W 580W 720W	Color: SL: SilverGray	Voltage: 100-277V 277-480V	CCT: 2700K 3000K 3500K 4000K 5000K 5700K	Distribution: 15° 30° 60° T2: Type 2 (short) T2: Type 2 (medium) T3: Type 3 (medium) T4: Type 4 (medium)	Optional Accessories: NPCR: No Photocontrol PCR3: 3-Pin Photo Receptacle PCR7: ANSI 7-Pin Photo Receptacle SC: Shorting Cap