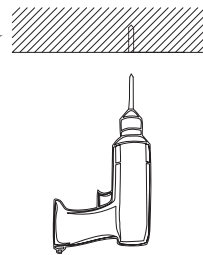
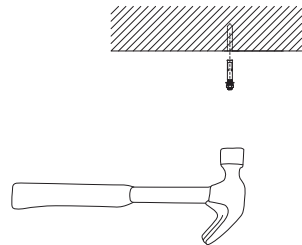


U-bracket mount F Bracket

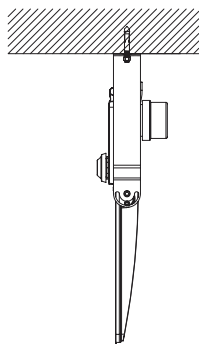
Ceiling surface
wall surface
ground surface



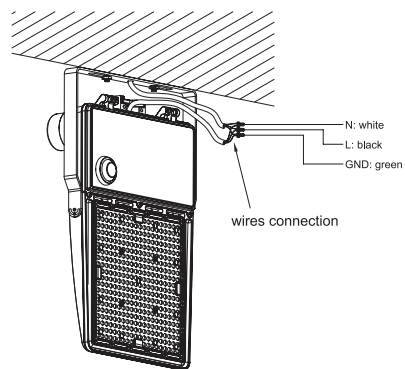
1. Drill the desired holes on the ceiling with electric drill.



2. Tap the wall anchor into the hole.



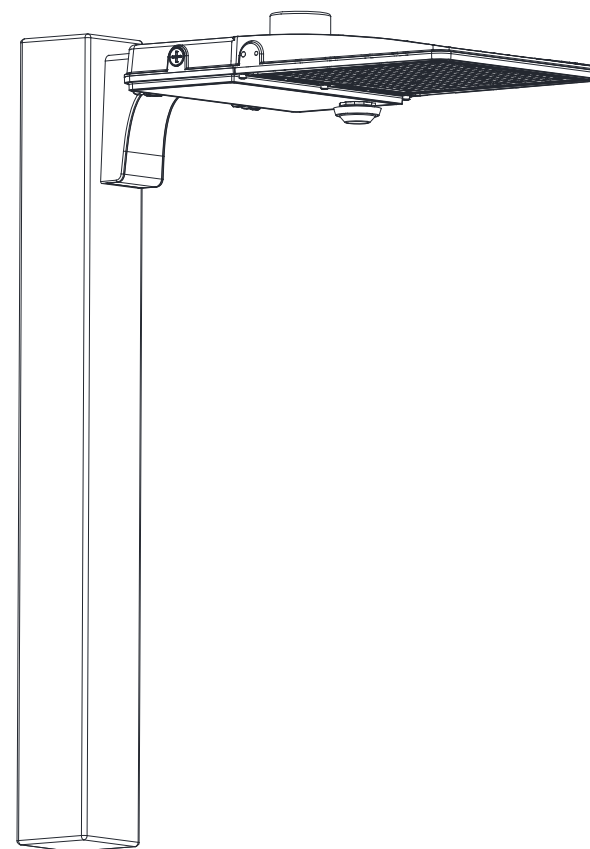
3. Fixate the bracket to the wall anchor with cap nut.
The fixture is installed well also.



4. Connect the L, N, GND wires correctly with waterproof wire nut.
Put wires into the slip fitter, and then tighten the cover plate with M8 screw.

LED AREA LIGHT

INSTALLATION INSTRUCTIONS



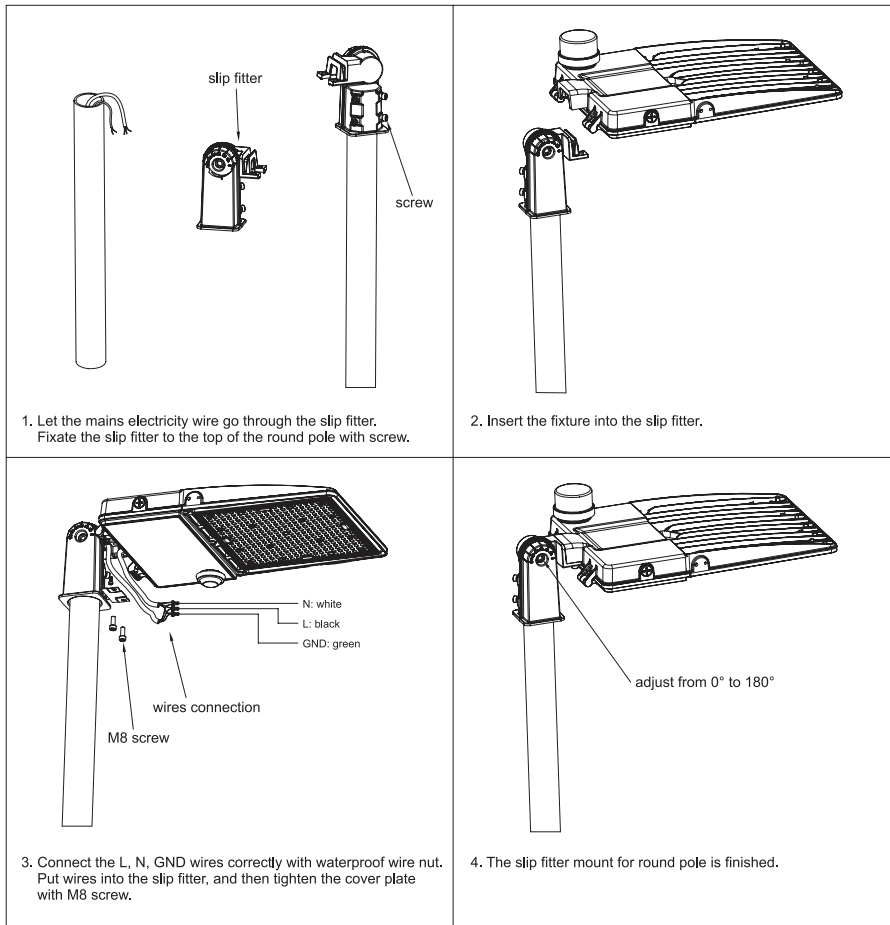
STANDARD WIRE:

L/live wire: Black; N/null wire: White ; Ground wire: Green.

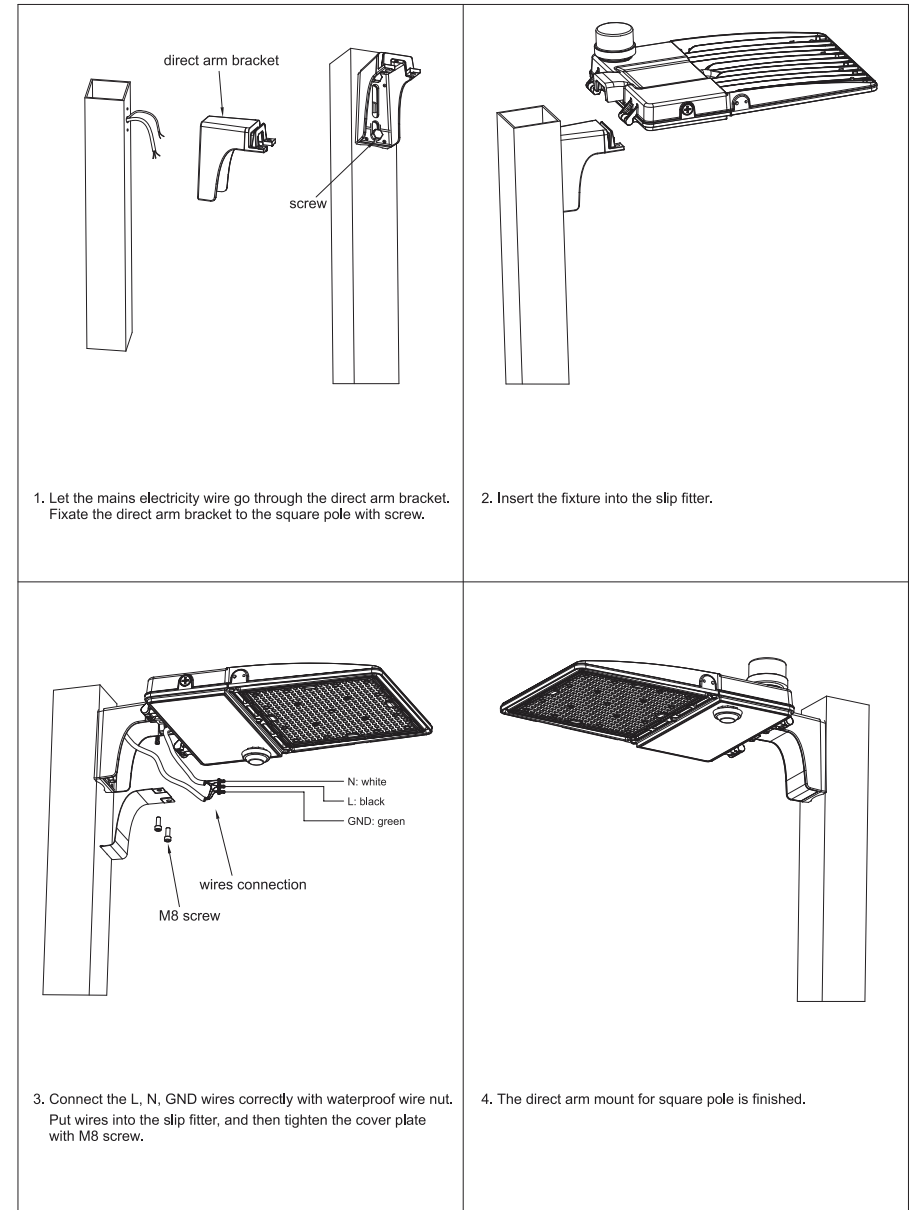
CAUTIONS:

- 1.Can not use the electric generator to test the LED lamp.
2. Please abide by related country, regional and local law and regulations when install this fixture.
- 3.To avoid electrical shock and damage, please do not install the lights in raining days.

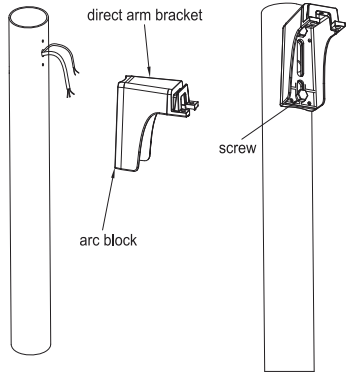
Slip fitter mount for round pole A Bracket



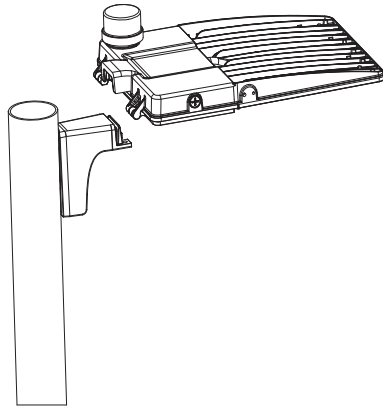
Direct Arm mount for square pole B Bracket



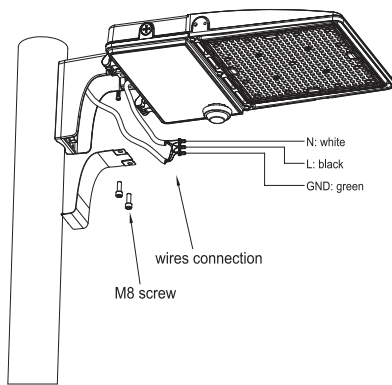
DirectArm with arc block mount for round pole B Bracket



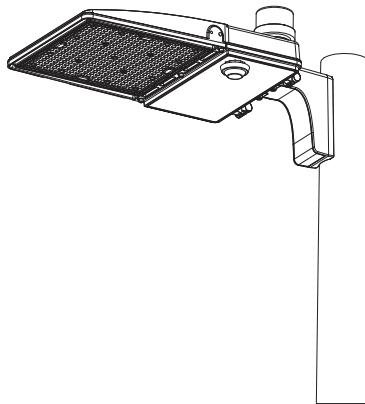
1. Let the mains electricity wire go through the arc block firstly, and then direct arm bracket. Fixate the direct arm bracket and arc block to the round pole with screw.



2. Insert the fixture into the slip fitter.

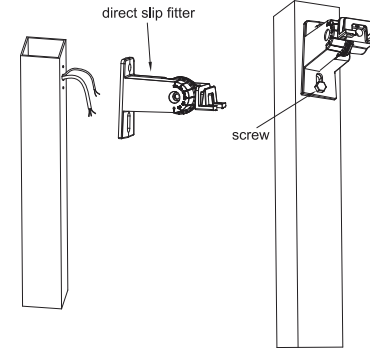


3. Connect the L, N, GND wires correctly with waterproof wire nut. Put wires into the slip fitter, and then tighten the cover plate with M8 screw.

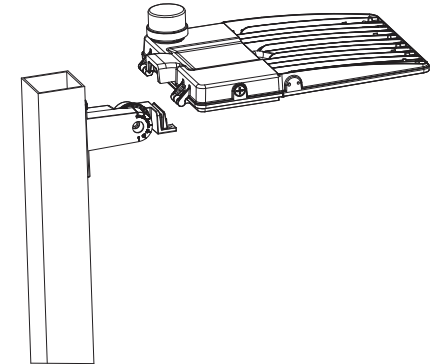


4. The direct arm with arc block mount for round pole is finished.

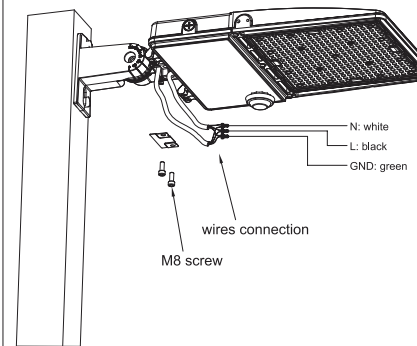
Direct slip fitter mount for square pole B2 Bracket



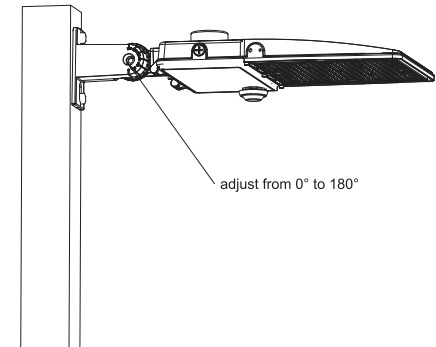
1. Let the mains electricity wire go through the direct slip fitter. Fixate it to the square pole with screw.



2. Insert the fixture into the slip fitter.

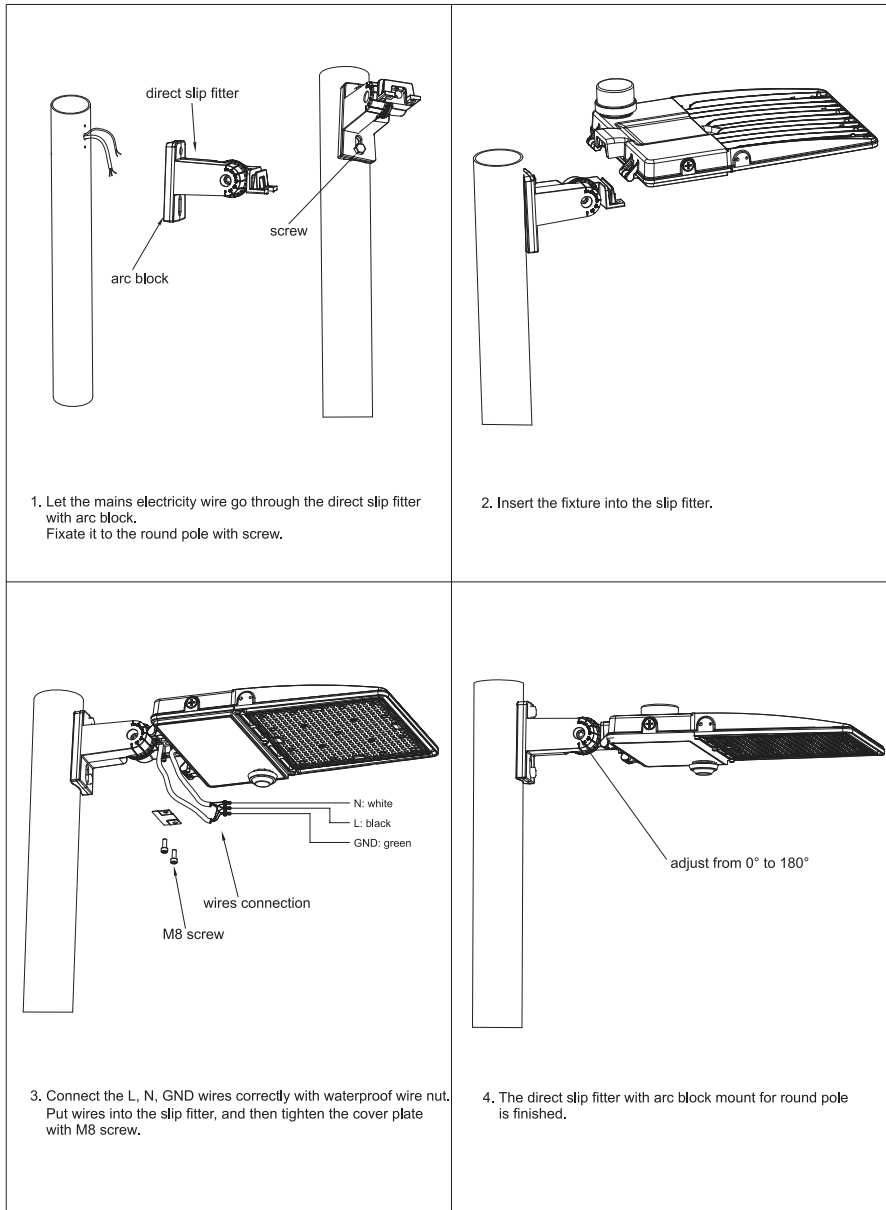


3. Connect the L, N, GND wires correctly with waterproof wire nut. Put wires into the slip fitter, and then tighten the cover plate with M8 screw.



4. The direct slip fitter mount for square pole is finished.

Direct Slip fitter with arc block mount for round pole B2 Bracket



Trunnion mount C Bracket

