

Product Description:

The UFO-2 delivers excellent lighting with a calculated 100,000 hour life span at L70 standards. The UFO-2 is ideal for indoor and outdoor high or low bay areas such as warehouses, shopping malls, supermarkets, bus/train stations, gymnasiums, etc. It is available with several common accessories such as aluminum reflectors, wire guards, varying plug types, and different lens angles. Standard control options are available as well - such as Dali control, Microwave motion sensor control, and ZigBee control.

Features:

- **Application:** High/Low Bay
- **Mounting:** Pendant / Hanging Ring
- **Warranty:** 5 Years
- **LED Driver:** Meanwell
- **LED Source:** Philips/Nichia
- **Operating Temperature:** -22°F ~ 122°F
- **Housing Material:** Die cast, marine grade aluminum



Technical Data:

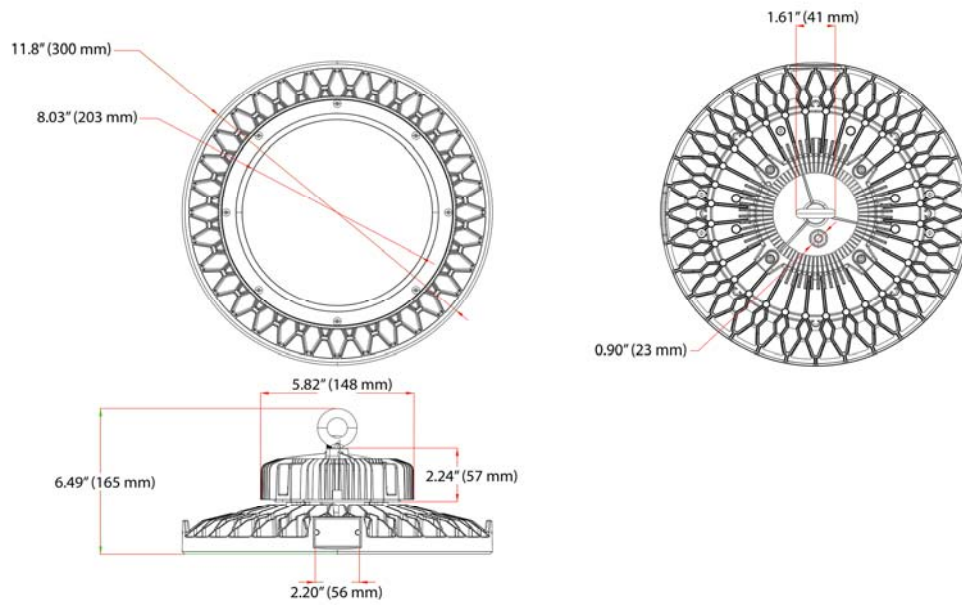
Certifications	UL / DLC (150W ~ 240W) in 40K/50K
CRI	≥ 80
IP Rating	IP66
CCT	4000K - 5000K
Input Voltage	100-277V

Specifications:

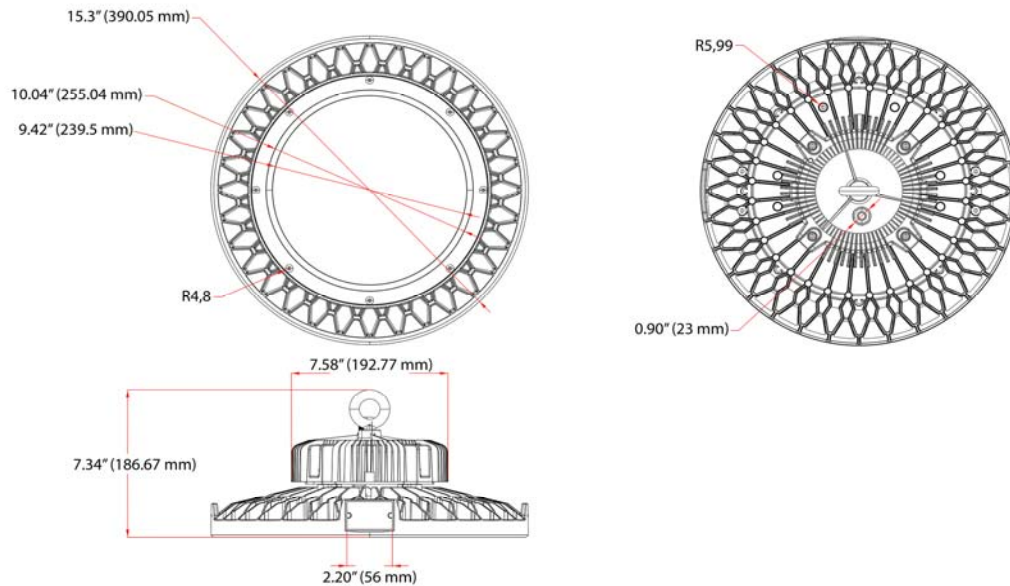
Fixture Model	Total Lumens (50K @ 120deg)	Efficacy (lm/w)	Dimensions (inches)	Weight (lbs)	Beam Angle
UFO-2-150W	21,026.50 lm	>140 lm/W	11.81 Diameter x 7.87 Height	15.4	90° / 120°
UFO-2-200W	27,442.40 lm	>137 lm/W	15.35 Diameter x 7.48 Height	17.6	120°
UFO-2-240W	33,710.20 lm	>140 lm/W	15.35 Diameter x 7.48 Height	17.6	

Ordering Guide:

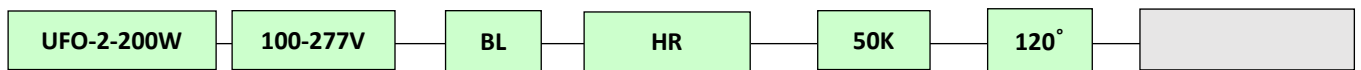
UFO-2 150W



UFO-2 200W/240W



Ordering Guide:



Wattage:
150W
200W
240W

Voltage:
100-277V

Color:
BL: Black

Mounting:
[HR]: Hanging Ring
[Hook]: Hook (240W only)
[3/4"]: Pendant NPT (150W only)

CCT:
40K
50K (150W/200W only)

Beam Angle:
90° (150W only)
120°

Additional Accessories:
[DM] 1-10V (200W only)
[FR] Frosted Lens (240W/4K only)
[IP65CC-Length]:
Extended Cord w/ IP65 connector + Length (standard length ~1ft)