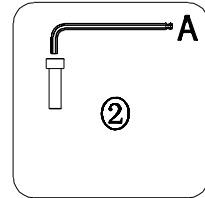
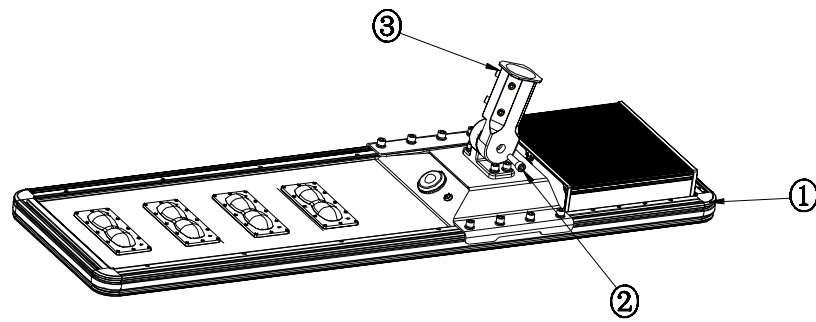
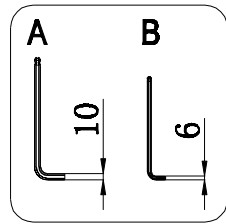


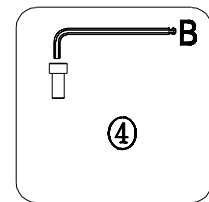
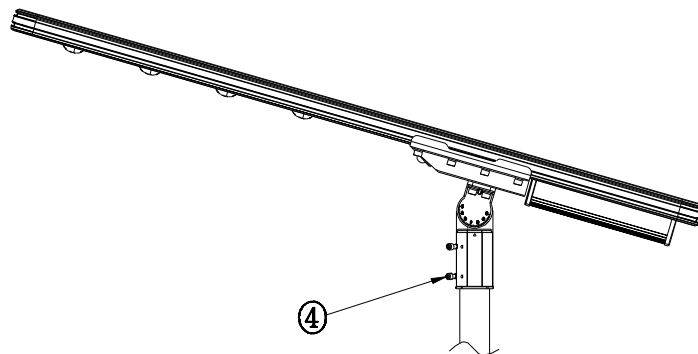
Installation instructions

Step 1



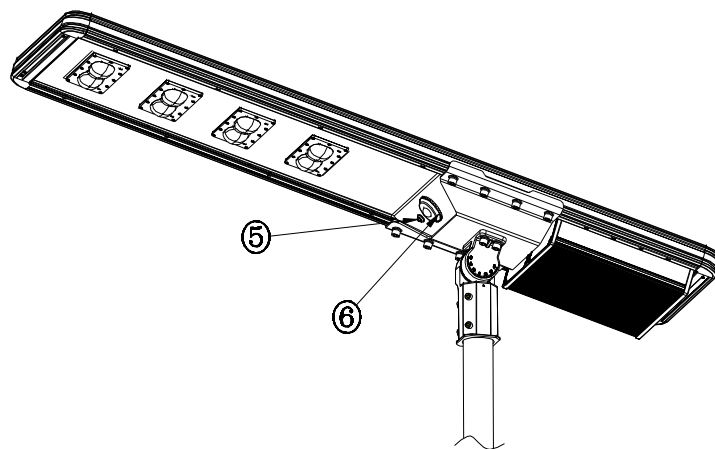
1. Prepare tools: wrench.
2. Wrench A, loosen screws (2) (M12*40), adjust (3) to a suitable angle, and tighten (2) with wrench A.

Step 2



1. Use the wrench B, unscrew 4pcs of screws (4) (M8*12).
2. As shown in the image, put the lamp fixing hole into the pole and adjust the direction.
3. Use the wrench B, screw up 4pcs of screws (4) and tighten.

Step 3



1. Tightening 4pcs of screws (4), press the switch button (5).
2. Observe (6) sensor until it turns red, installation done.