

AGL PADDLE-T LED Retrofit Lamp Installation Guide

Warning : Please read this specification before installation !

About product:

Our high light efficiency bulb using modern high-tech forging technology, built-in the efficient isolation without electrolytic capacitor long life drive power, air-cooled design with a patented, high luminous flux maintenance rate and low wear and tear the whole lamp life of 30,000 hours, and can be completely replacing the high-power energy-saving lamps and mining lamp !

Application:

- workshop and warehouse lighting
- public lighting(airport,train station etc)
- garage lighting (4S shop)
- large-scale heavy industrial workshop lighting (steel mills, automobile factory, ship factory etc)
- outdoor street lighting
- Vertical high pole lighting.

Specifications:

Input voltage: 100-277V/AC (50-60HZ)

Power: 30W/40W/50W/60W/80W/100W/120W/150W

C C T: 3000K/4000K/5000K/5700K

C R I: Ra>80 Beam Angle: 150° /90° X150°

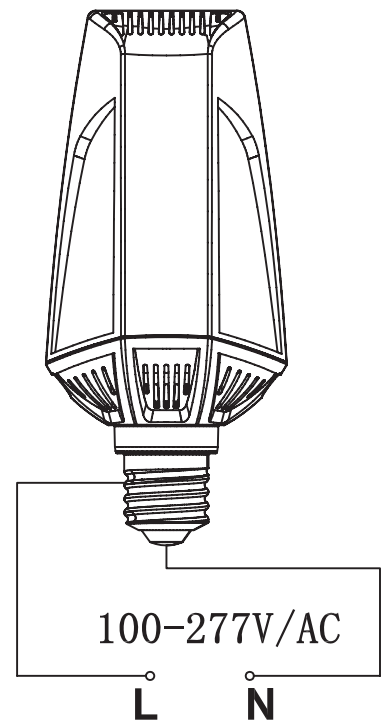
Base: E26/E27, E39/E40, EX39

Weight: 630g/1100g Warranty: 5 years

Size: 247(L) X 112(W) X 94(H) mm

295(L) X 133(W) X 111(H) mm

Operating temperature: -30° C - 55° C



※ Note

1. Make sure the power off before installation.
2. Make sure the bulb working within right voltage range.
3. Please do not take apart the fixture .
4. Pls make sure if there is the high pressure starter in the old fixture before replacement. If so, pls follow the steps showed on picture B .If not, pls follow the steps showed on picture A

