

## INSTALLATION INSTRUCTION OF LED CANOPY VENUS-2

### IMPORTANT SAFEGUARDS

When using electrical equipment, basic safety precautions should always be followed including the following:

### READ AND FOLLOW ALL INSTRUCTIONS

1. Turn off power supply to avoid the risk of electrical shock.
2. Proper grounding is required to ensure personal safety.
3. Make certain power is OFF before starting installation or maintenance.
4. Do not recess the fixture. For covered ceilings only.
5. A qualified electrician should do all work.
6. **DO NOT TOUCH THE LED CHIPS. DAMAGE MAY OCCUR.**

### CEILING MOUNTING

1. Remove the four screws attaching the lens diffuser to the fixture and set the screws and lens aside (see FIG.1).
2. Remove the screws attaching the mounting plate and set aside.
3. Remove 3/4" plug from back, or 1/2" plug from side, for wiring access.
4. Mount the fixture by drilling through back of fixture securing it to the mounting surface using the appropriate mounting hardware supplied by others for the surface. Use template to locate mounting holes (see FIG.2).
5. Route the incoming power and ground leads through the 3/4" hole from back, or 1/2" hole from side.
6. Connect respective line, common and round supply leads to Fixture leads with wire connectors (by others).
7. Replace the mounting plate and lens diffuser.

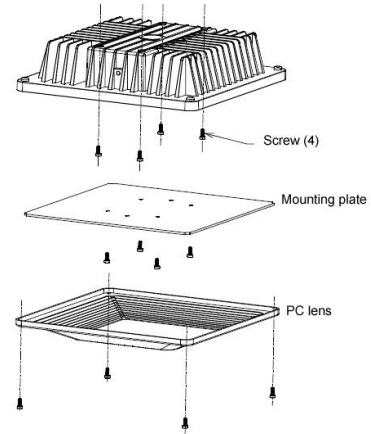


FIG. 1

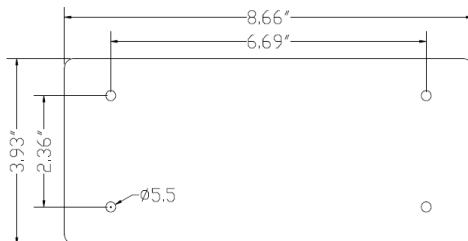


FIG.2

### PENDANT MOUNTING

1. Remove the four screws attaching the lens diffuser to the fixture and set the screws and lens aside (see FIG.1).
2. Remove the screws attaching the mounting plate and set aside.
3. Remove 3/4" plug from back for wiring access.
4. Fixture is then pendant mounted by threading the customer supplied pendant through the 3/4" mounting hole on the top of the fixture (see FIG.3)
5. Route the incoming power and ground leads through the 3/4" hole from back
6. Connect respective line, common and round supply leads to Fixture leads with wire connectors (by others).
7. Replace the mounting plate and lens diffuser.

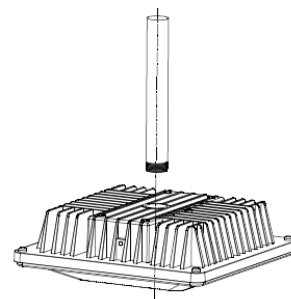


FIG. 3

## **MOUNTING BY BRACKETS**

1. Secure the mounting bracket (provided, see FIG. 6) to junction box (by others)
2. Seal between the mouth of the junction box and mounting plate with silicone sealant (by others).
3. Install Fixture to mounting bracket by slipping the Back Steel Rod into Hinge slots, and remove your hands from Fixture allowing it to rest in Hinged position (see FIG. 5).
4. Connect respective line, common and round supply leads to Fixture leads with wire connectors (by others). Push wires into junction box.
5. Hinge Fixture to leveled position and push Fixture backwards, slipping the Front Steel Rod into mounting slots. Secure fixture in position by the secure screw pushing the fixture and preventing it moving (see FIG. 7).

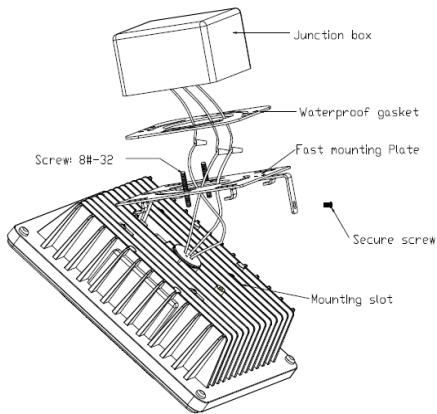


FIG.4

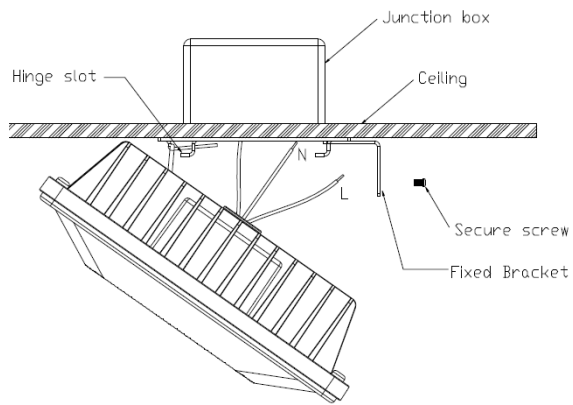


FIG. 5

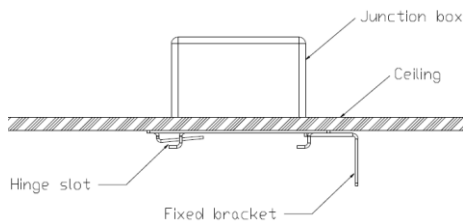


FIG.6

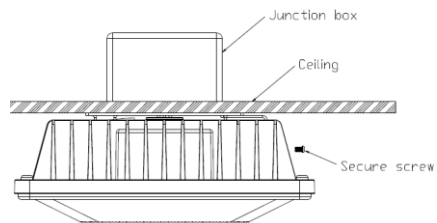


FIG.7

**MAINTENANCE:** The unit is designed for years with minimum care. For optimum performance, periodically clean the reflector and lens with a mild, non-abrasive glass cleaner and soft cloth. Do NOT use solvents or cleaners containing abrasive agents. When cleaning the fixture, make sure you have the power turned off and do not spray liquid cleaner directly onto the LED, socket, or wiring.