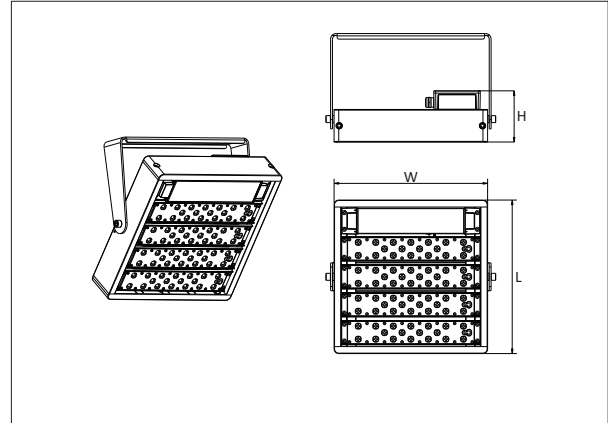


PLEASE READ THESE INSTRUCTIONS CAREFULLY BEFORE INSTALLATION

IMPORTANT INSTALLATION INFORMATION

1. Normal operating environment and temperature: -40°C - +50°C. Fixture is suitable for building, billboard, car dealership, factory and warehouse applications.
2. Before commencing installation or repairs, ensure that power mains are switched off. Only registered or licenced electricians are allowed to conduct installation or repairs.
3. Light fixture should not be installed nearby or on flammable materials and must be installed away from heat sources.
4. Recommended installation height above lighted area: 6-12 meters and suitable for outdoor use.
5. All light fixtures run hot therefore the space surrounding the light fixture shall have adequate airflow spacing of at least 50cm omni-directionally from the outer case. Fire hazards and local safety ordinances shall be taken into consideration by the installer before commissioning.



Drawings herein for GEMINI-U are used as examples for all the below listed models.

Main specifications:

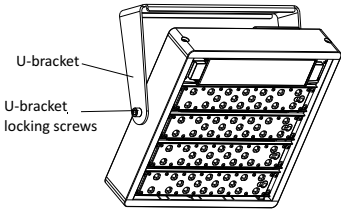
Model No.	System Wattage	No. of leds	Dimensions (L x W x H)	Net Weight	Working Environment
GEMINI-U	33W	18	150 (5.91") x 345 (13.58") x 112 mm (4.41")	4.45kg(9.81lbs)	-40°C- +50°C
GEMINI-U	64W	36	210 (8.27") x 345 (13.58") x 112 mm (4.41")	5.56kg(12.26lbs)	
GEMINI-U	92W	54	270 (10.63") x 345 (13.58") x 112 mm (4.41")	6.38kg(14.07lbs)	
GEMINI-U	121W	72	330 (12.99") x 345 (13.58") x 112 mm (4.41")	7.10kg(15.65lbs)	
GEMINI-U	151W	90	390 (15.35") x 345 (13.58") x 112 mm (4.41")	7.82kg(17.24lbs)	
GEMINI-U	182W	108	510 (20.08") x 345 (13.58") x 112 mm (4.41")	9.97kg(21.98lbs)	
GEMINI-U	211W	126	570 (22.44") x 345 (13.58") x 112 mm (4.41")	10.77kg(23.74lbs)	
GEMINI-U	240W	144	630 (24.80") x 345 (13.58") x 112 mm (4.41")	11.56kg(25.49lbs)	
GEMINI-U	267W	162	690 (27.17") x 345 (13.58") x 112 mm (4.41")	12.26kg(27.03lbs)	
GEMINI-U	296W	180	750 (29.53") x 345 (13.58") x 112 mm (4.41")	12.98kg(28.62lbs)	
Input Voltage: 120-277VAC or 220-240VAC 30W/module					

Model No.	System Wattage	No. of leds	Dimensions (L x W x H)	Net Weight	Working Environment
GEMINI-U	42W	18	150 (5.91") x 345 (13.58") x 112 mm (4.41")	4.45kg(9.81lbs)	-40°C- +50°C
GEMINI-U	84W	36	210 (8.27") x 345 (13.58") x 112 mm (4.41")	5.56kg(12.26lbs)	
GEMINI-U	125W	54	270 (10.63") x 345 (13.58") x 112 mm (4.41")	6.38kg(14.07lbs)	
GEMINI-U	166W	72	330 (12.99") x 345 (13.58") x 112 mm (4.41")	7.10kg(15.65lbs)	
GEMINI-U	205W	90	450 (17.72") x 345 (13.58") x 112mm (4.41")	8.62kg(19.00lbs)	
GEMINI-U	246W	108	510 (20.08") x 345 (13.58") x 112 mm (4.41")	9.97kg(21.98lbs)	
GEMINI-U	285W	126	570 (22.44") x 345 (13.58") x 112 mm (4.41")	10.77kg(23.74lbs)	
GEMINI-U	323W	144	630 (24.80") x 345 (13.58") x 112 mm (4.41")	11.56kg(25.49lbs)	
Input Voltage: 120-277VAC or 220-240VAC 40W/module					

Model No.	System Wattage	No. of leds	Dimensions (L x W x H)	Net Weight	Working Environment
GEMINI-U	84W	36	210 (8.27") x 345 (13.58") x 112 mm (4.41")	5.56kg(12.26lbs)	-40°C- +50°C
GEMINI-U	125W	54	270 (10.63") x 345 (13.58") x 112 mm (4.41")	6.38kg(14.07lbs)	
GEMINI-U	166W	72	330 (12.99") x 345 (13.58") x 112 mm (4.41")	7.10kg(15.65lbs)	
GEMINI-U	205W	90	450 (17.72") x 345 (13.58") x 112 mm (4.41")	8.62kg(19.00lbs)	
GEMINI-U	246W	108	510 (20.08") x 345 (13.58") x 112 mm (4.41")	9.97kg(21.98lbs)	
GEMINI-U	285W	126	570 (22.44") x 345 (13.58") x 112 mm (4.41")	10.77kg(23.74lbs)	
GEMINI-U	323W	144	630 (24.80") x 345 (13.58") x 112 mm (4.41")	11.56kg(25.49lbs)	
Input Voltage: 347-480VAC 40W/module					

Installation Instruction & Installation Steps

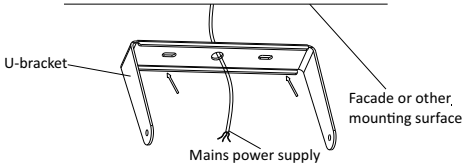
1



U-bracket
U-bracket locking screws

STEP 1:
Unscrew screws from the yoke mounting bracket using an Allen .
See Figure 1.

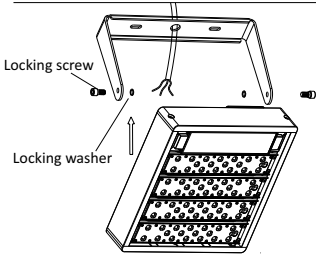
2



U-bracket
Facade or other, mounting surface
Mains power supply

STEP 2:
Get the mains power supply cord through wiring hole on U bracket, then fix U bracket to facade or other location using swelling bolts or other screws.
See Figure 2

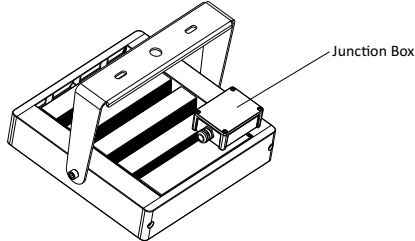
3



Locking screw
Locking washer

STEP 3:
Fit light body into the hooks of U-bracket, and make sure the locking washers must be located between U bracket and the light body.
See Figure 3.

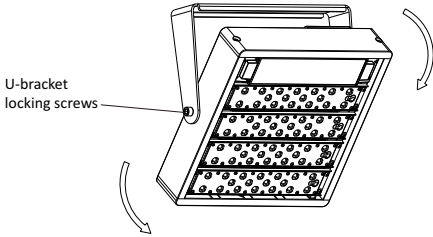
4



Junction Box

STEP 4:
Tighten the screws slightly, rotate the light body and make it easier for wiring, then connect mains power supply to the power cord of light body. See Figure 4. For more details about wiring, please refer to the wiring instruction to complete wiring, see Figure 6.

5



U-bracket locking screws

STEP 5:
Loosen the screws on both sides of U bracket, rotate the lightbody to a specific aiming direction for illumination, finally lock the screws at 25 N.m torque to complete installation.

Safety Notice

WIRING INSTRUCTION

***IF THERE IS JUNCTION BOX IN CEILING:

STEP I: Connect the LINE wire in the mains power supply cord to black LINE wire from lightbody via a terminal block.

STEP II: Connect the NEUTRAL wire in the mains power supply cord to white NEUTRAL wire from lightbody via a terminal block.

STEP III: Connect the green grounding wire in the mains power supply cord to green grounding wire from lightbody via a terminal block.

STEP III: Push back the connected wires into junction box.

***EXTERNAL JUNCTION BOX:

STEP I: Open the lid of the external junction box.

STEP II: Connect the LINE wire in the mains power supply cord to the L marked hole in the terminal block from the external junction box, and tighten the connection properly.

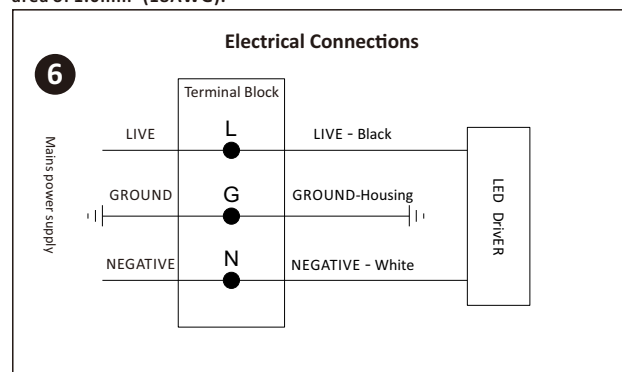
STEP III: Connect the NEUTRAL wire in the mains power supply cord to the N marked hole in the terminal block from the external junction box, and tighten the connection properly.

STEP IV: Connect the YELLOW/GREEN GROUNDING wire in the mains power supply cord to the G marked hole in the terminal block from the external junction box, and tighten the connection properly.

STEP V: Close the junction box, and fasten the screws to fix the lid to the junction box body.

Alternating Current

Input wire H07RN-F 3x1.5mm² (SJOW 3 * 18AWG) or rubber sheathed cable (not supplied). Conductor must have a minimum cross-sectional area of 1.0mm² (18AWG).



Common causes and solution

Encountered Problem	Possible Cause	Remedy
Module does not light up	Internal wire disconnected	Open fixture and locate loose wires, reconnect connectors or wires and close cover. And retest.
	LED driver failure	Open fixture and check for disconnected wiring. If all wires are fine, replace LED driver with new one and test.
	Module Failure	If all the above remedies are trialed then the light module has most likely failed. Contact us for replacement and warranty information.



This logo indicates that this product must not be disposed of with other waste. Please recycle used lamps to prevent environmental hazard and threats to human health resulting from improper disposal.