

LEO-2 Series

Product Description:

The LEO-2 Wallpack delivers exceptional lumens up to 117 lm/w. This luminaire is highly capable of operating under strong weather conditions and uses a sealed die-cast profile for enhanced durability. The LEO-2 has optional accessories such as motion sensor, photocell, and emergency back up for specific user needs. This luminaire is extremely light-weight and easy to install with a life span of over 100,000 calculated hours.



Features:

- **Application:** LED Wall Pack
- **Warranty:** 5 Years (fixture)
- **Lens:** Polycarbonate lens with UV stabilizers
- **Operating Temperature:** -13°F ~ 122°F
- **Housing:** Sealed die-cast profile for outdoor applications



Technical Data:

Certifications	UL listed
IP Rating	IP 65
Color Temperature	5000K
Input Voltage	100-277V

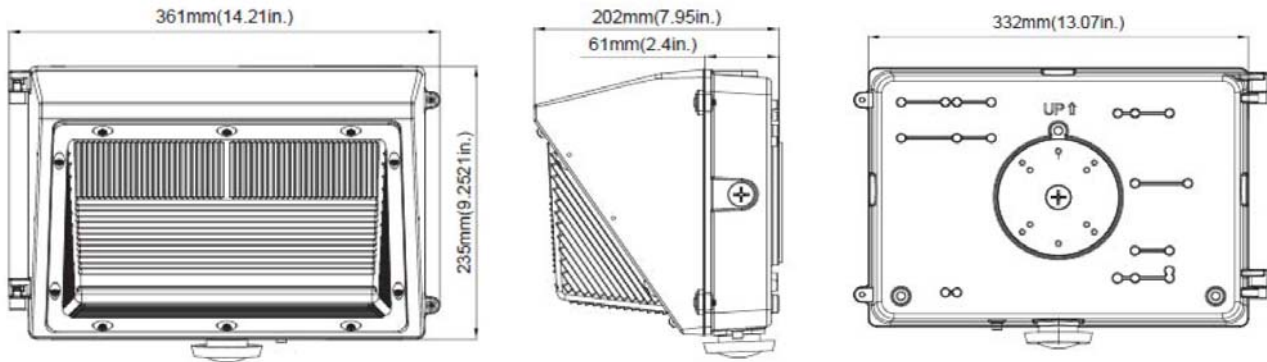


Specifications:

Fixture Model	Total Lumens	Efficacy (lm/w)	Dimensions (in)	Weight	Voltage	Beam Angle
LEO-2-45W / 5K	3,935.9 lm	>87	14.21" x 9.25" x 7.4"	7.10 lbs	100-277V	120°
LEO-2-70W / 5K	7,773.3 lm	>111	14.21" x 9.25" x 7.4"	7.39 lbs	100-277V	

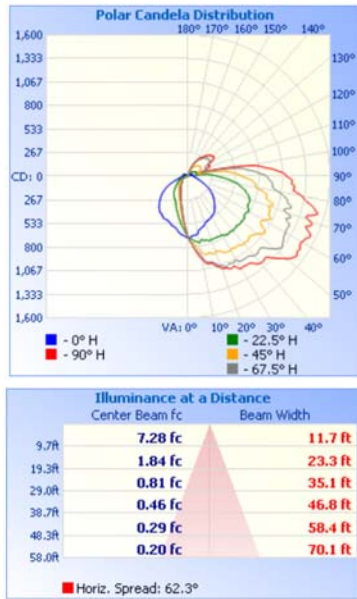
Dimensions:

LEO-2 (45W ~ 70W)

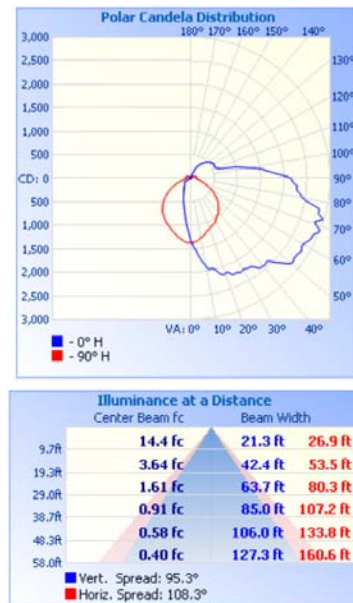


Photometrics (50K)

45W



70W



Ordering Guide:

