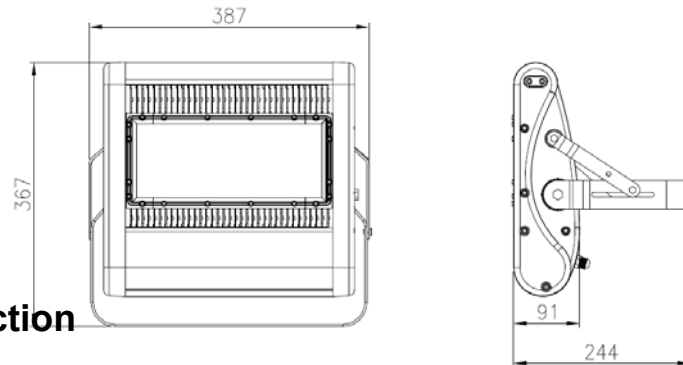
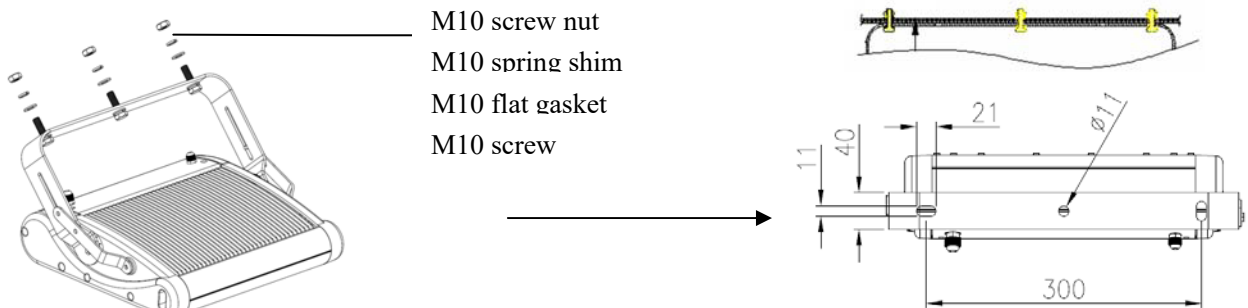


1. Product Dimension (Unit: MM)

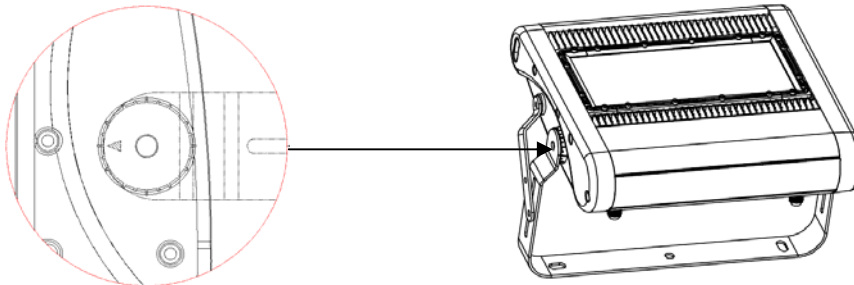


2. Installation Instruction

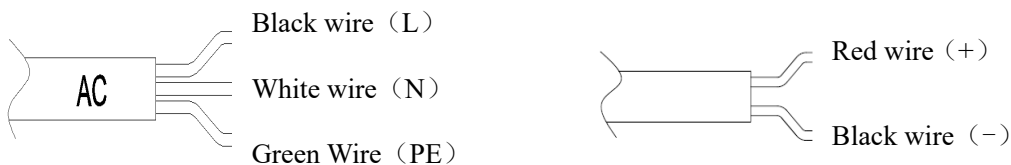
Step 1: Screw tightly the light on the installation bracket or high mast in the right position as per the illumination design.



Step 2: Adjust the angle of the light bracket as per the illumination design and then tighten the screws



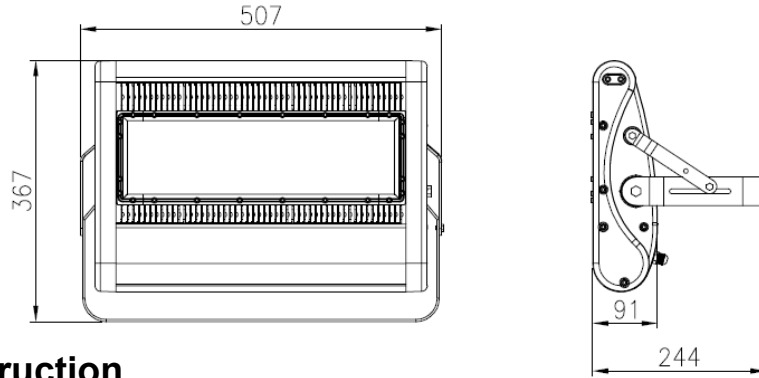
Step 3: Connect the wires: Black wire is “L”, White wire is “N”, Green wire is “PE”; Dimming Red wire is“+”, Black wire is“-”.



3. Maintenance Instructions:

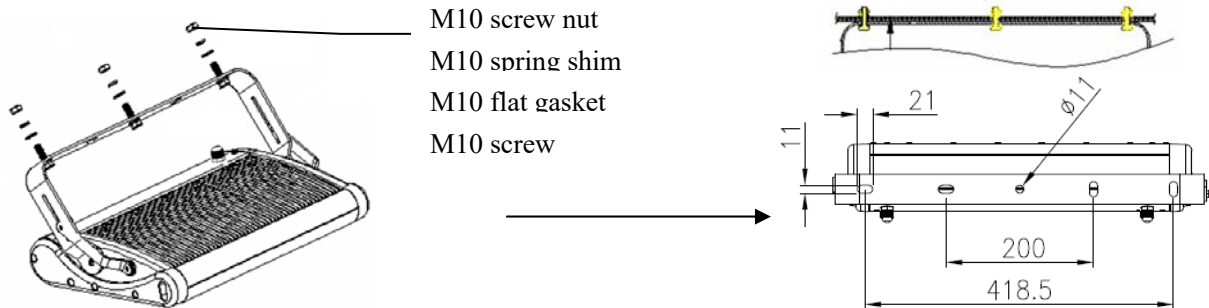
- a. Turn off power before installation or servicing. The installation and servicing should be performed by qualified person;
- b. Clean the cover glass of the light periodically to keep good transparency.
- c. If the light is used in dusty environment, clean the house and the heat-sink periodically to keep good heat-radiation.
- d. Clean the light with cloth or water reinsing.

1. Product Dimension (Unit: MM)

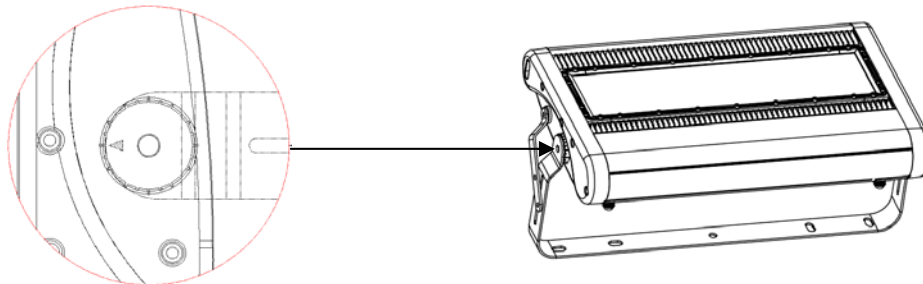


2. Installation Instruction

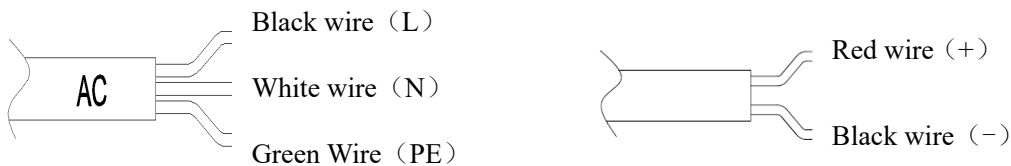
Step 1: Screw tightly the light on the installation bracket or high mast in the right position as per the illumination design.



Step 2: Adjust the angle of the light bracket as per the illumination design and then tighten the screws



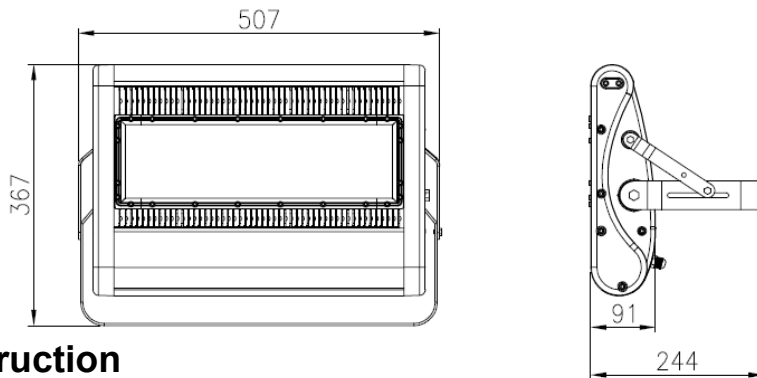
Step 3: Connect the wires: Black wire is “L”, White wire is “N”, Green wire is “PE”; Dimming Red wire is “+”, Black wire is “-”.



3. Maintenance Instructions:

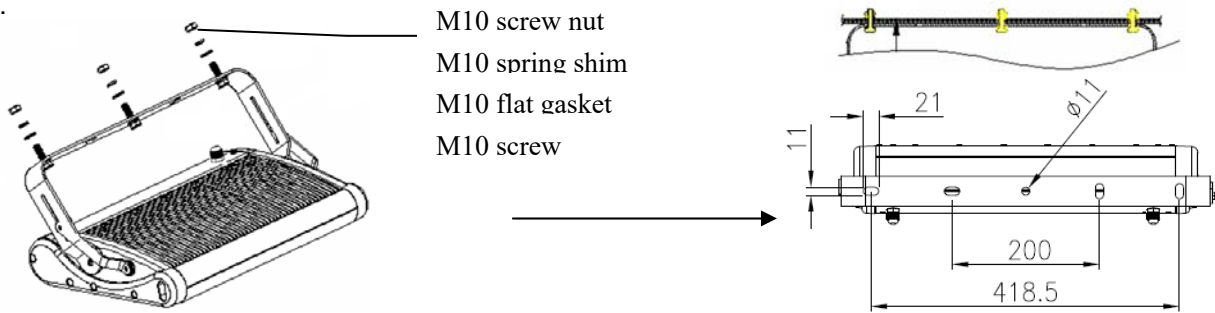
- a. Turn off power before installation or servicing. The installation and servicing should be performed by qualified person;
- b. Clean the cover glass of the light periodically to keep good transparency.
- c. If the light is used in dusty environment, clean the house and the heat-sink periodically to keep good heat-radiation.
- d. Clean the light with cloth or water reinsing.

1. Product Dimension (Unit: MM)

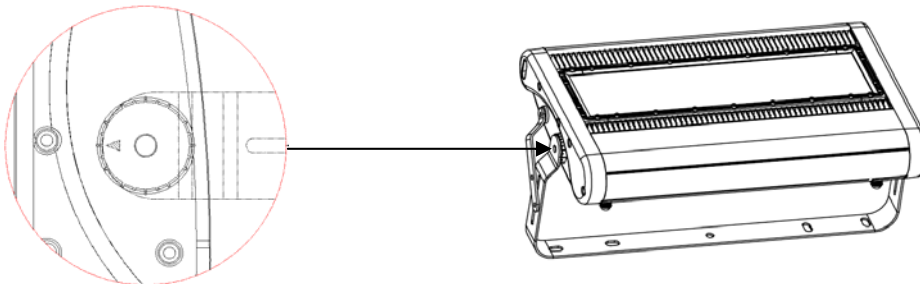


2. Installation Instruction

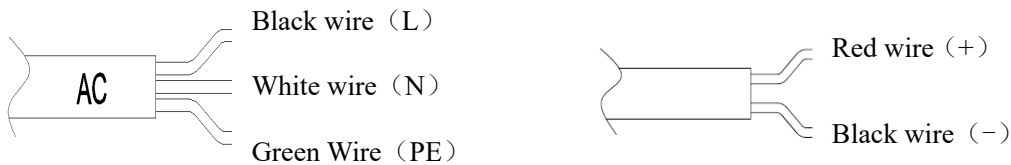
Step 1: Screw tightly the light on the installation bracket or high mast in the right position as per the illumination design.



Step 2: Adjust the angle of the light bracket as per the illumination design and then tighten the screws



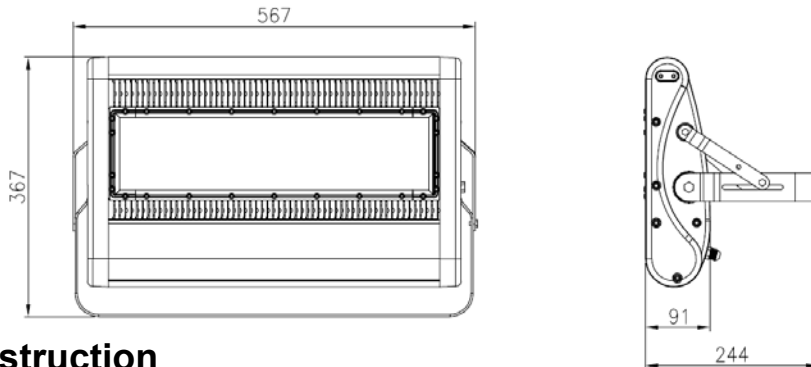
Step 3: Connect the wires: Black wire is “L”, White wire is “N”, Green wire is “PE”; Dimming Red wire is “+”, Black wire is “-”.



3. Maintenance Instructions:

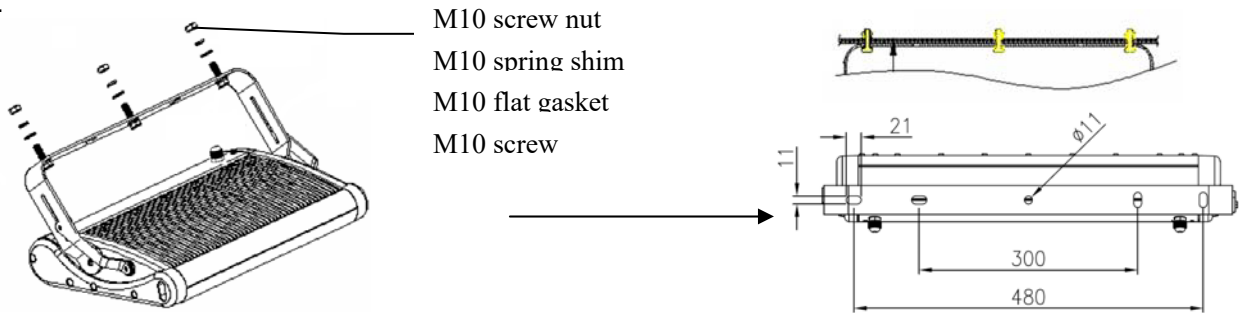
- a. Turn off power before installation or servicing. The installation and servicing should be performed by qualified person;
- b. Clean the cover glass of the light periodically to keep good transparency.
- c. If the light is used in dusty environment, clean the house and the heat-sink periodically to keep good heat-radiation.
- d. Clean the light with cloth or water reinsing.

1. Product Dimension (Unit: MM)

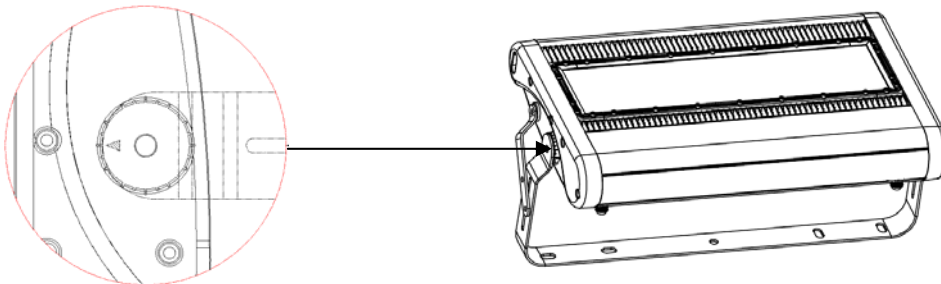


2. Installation Instruction

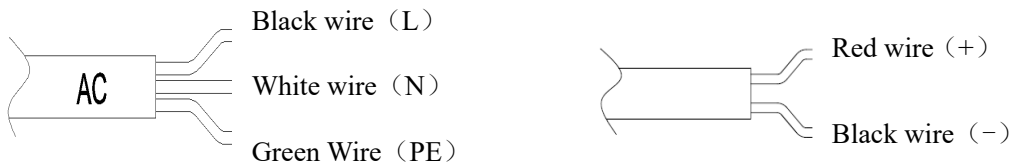
Step 1: Screw tightly the light on the installation bracket or high mast in the right position as per the illumination design.



Step 2: Adjust the angle of the light bracket as per the illumination design and then tighten the screws

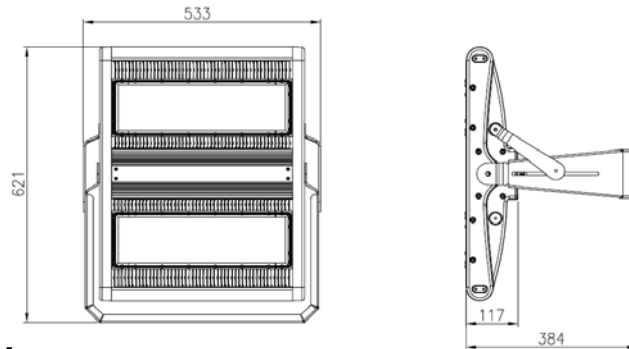


Step 3: Connect the wires: Black wire is “L”, White wire is “N”, Green wire is “PE”; Dimming Red wire is “+”, Black wire is “-”.

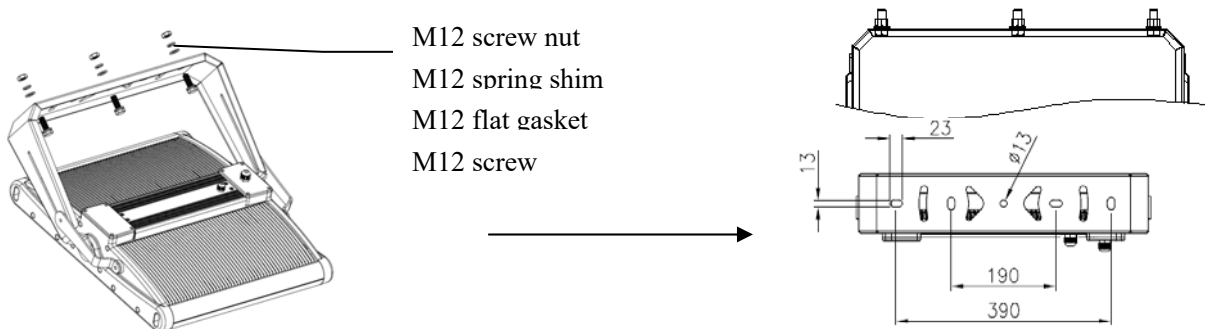


3. Maintenance Instructions:

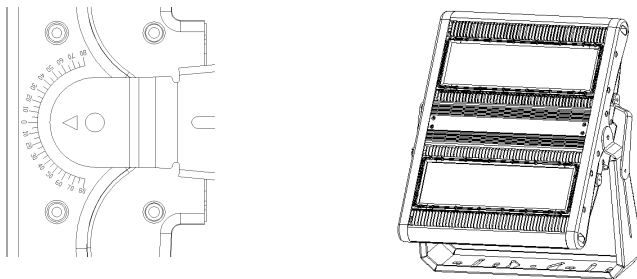
- a. Turn off power before installation or servicing. The installation and servicing should be performed by qualified person;
- b. Clean the cover glass of the light periodically to keep good transparency.
- c. If the light is used in dusty environment, clean the house and the heat-sink periodically to keep good heat-radiation.
- d. Clean the light with cloth or water reinsing.

1. Product Dimension (Unit: MM)**2. Installation Instruction**

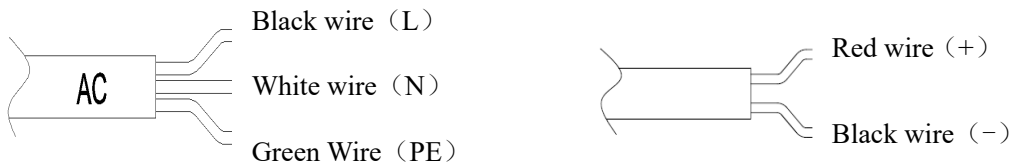
Step 1: Screw tightly the light on the installation bracket or high mast in the right position as per the illumination design.



Step 2: Adjust the angle of the light bracket as per the illumination design and then tighten the screws

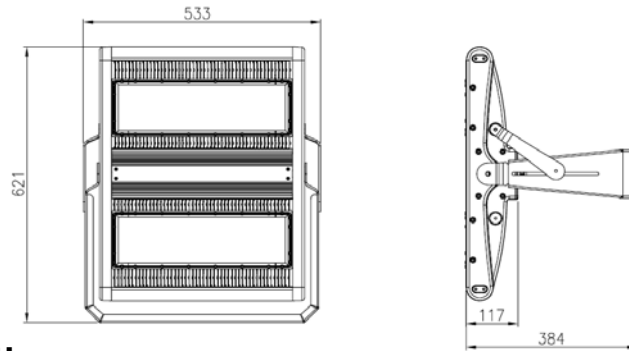


Step 3: Connect the wires: Black wire is "L", White wire is "N", Green wire is "PE"; Dimming Red wire is "+", Black wire is "-".

**3. Maintenance Instructions:**

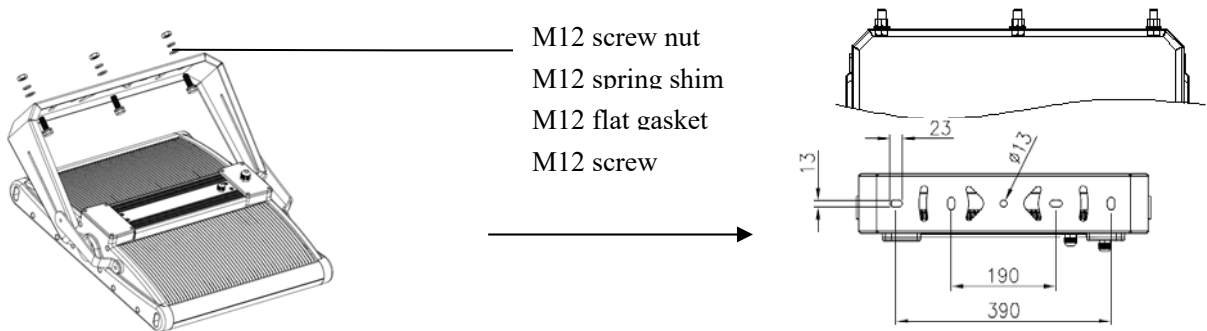
- Turn off power before installation or servicing. The installation and servicing should be performed by qualified person;
- Clean the cover glass of the light periodically to keep good transparency.
- If the light is used in dusty environment, clean the house and the heat-sink periodically to keep good heat-radiation.
- Clean the light with cloth or water reinsing.

1. Product Dimension (Unit: MM)

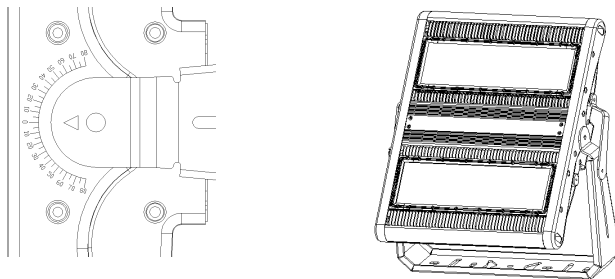


2. Installation Instruction

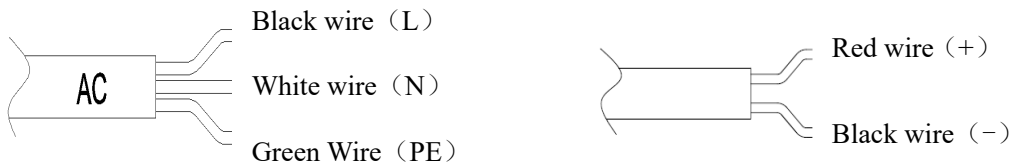
Step 1: Screw tightly the light on the installation bracket or high mast in the right position as per the illumination design.



Step 2: Adjust the angle of the light bracket as per the illumination design and then tighten the screws



Step 3: Connect the wires: Black wire is “L”, White wire is “N”, Green wire is “PE”; Dimming Red wire is“+”, Black wire is“-”.



3. Maintenance Instructions:

- a. Turn off power before installation or servicing. The installation and servicing should be performed by qualified person;
- b. Clean the cover glass of the light periodically to keep good transparency.
- c. If the light is used in dusty environment, clean the house and the heat-sink periodically to keep good heat-radiation. d. Clean the light with cloth or water reinsing.