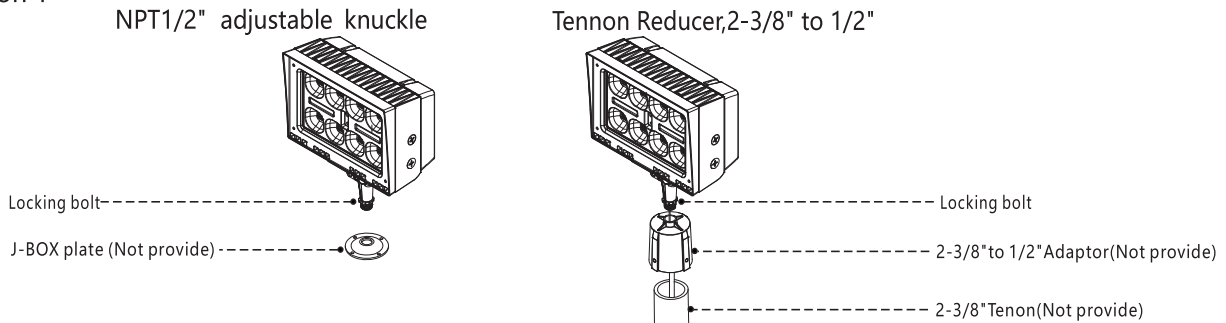


TELLY-U Installation Guide

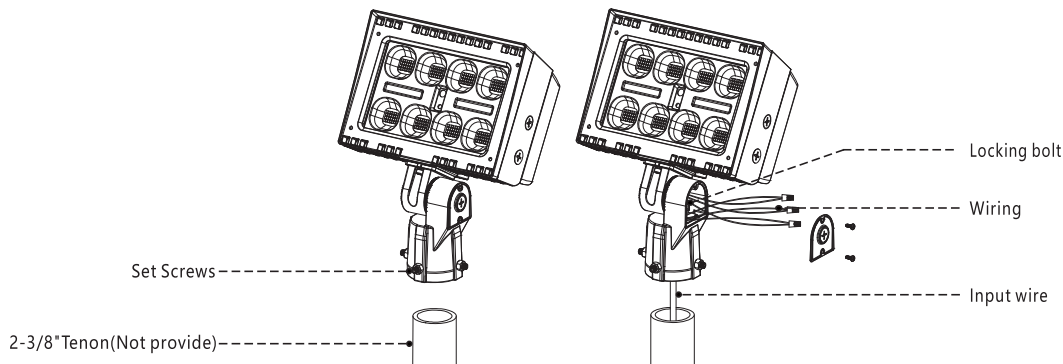
Mounting

Option 1



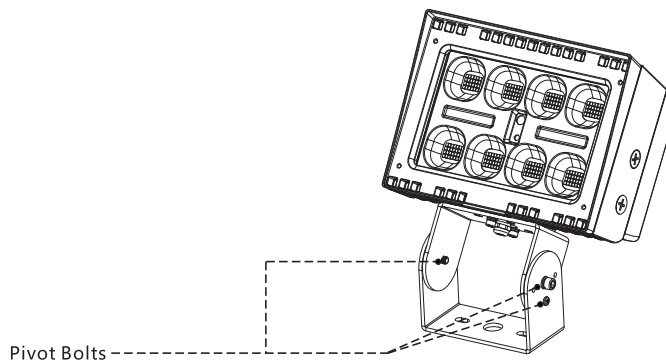
- 1.Seal arm thread using teflon tape or silicone sealant.
- 2.Secure the LED Flood to a 1/2" NPT hole in a junction box or landscape post. Heavy duty XC1 cover provided.
- 3.Plug all unused holes and seal threads with silicone.
- 4.The swivel arm on the LED Flood allows 180° of vertical aiming adjustment depending on mounting location.

Option 2: 2-3/8 slipfitter adjustable arm



- 1.The slipfitter mounting fits a 2 3/8" O.D. Tenon. Place the slipfitter over the Tenon and secure the fixture with the four Set Screws on the side of the slipfitter.
- 2.Remove two screws and plug on side of Round Cover Plate. Remove the Round Cover Plate and adjust the angle of the fixture and wiring.
- 3.Looseen the Locking Bolt and swivel fixture to desired angle.
- 4.Tighten the Locking Bolt and re-attach Round Cover Plate.

Option 3: Yoke mounting



- To adjust the angle of the fixture using the trunnion:
- 1.Looseen the Pivot Bolts & angle locking screw.
 - 2.Adjust fixture to desired angle.
 - 3.Tighten Pivot Bolts & angle locking screw.

ALL GREEN LIGHTING, INC.

12251 Industry Street
Garden Grove, CA 92841
Tel: 714-899-9999
Fax: 714-899-9990

Email: sales@allgreenlightinginc.com
Website: www.allgreenlightinginc.com