

### Product Description:

The DRONE Series provides exceptional lumens up to 160 lm/w. This luminaire has a calculated life of over 100,000 hours and is constructed with enhanced cooling fins to provide maximum performance and reduce energy cost. This luminaire is ideal for offices, schools, hospitals, warehouses, factories, commercial buildings, etc. The DRONE is unique in that the luminaire chips can be rotated up to 200 degrees with its tool-less design.



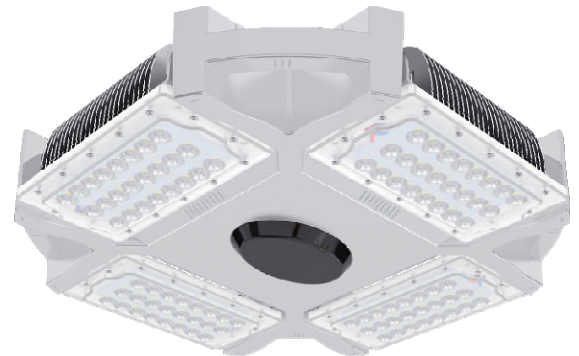
### Features:

- **Application:** LED High Bay
- **Installation:** Pole / Chain / Hanging Ring
- **Warranty:** 5 Years
- **LED Driver:** Meanwell
- **LED Source:** Philips Lumileds
- **Operating Temperature:** -40°F ~ 140°F
- **Power Factor:** >0.95
- **Housing Material:** Aluminum (Heatsink) and Polycarbonate (housing)

**200° Rotatable Optics for Uplight**

### Technical Data:

<b>Certifications</b>	<b>ETL</b>
<b>CRI</b>	<b>≥ 70/80</b>
<b>IP Rating</b>	<b>IP65</b>
<b>CCT</b>	<b>2700K ~ 6500K</b>
<b>Input Voltage</b>	<b>100-277V / 250-528V</b>

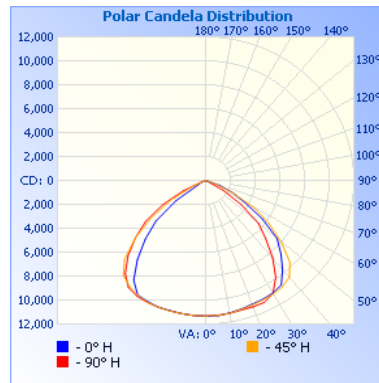


### Specifications:

Fixture Model	Total Lumens (@ 60°)	Efficacy (lm/w)	Dimensions (inches)	Weight (lbs)	Beam Angle
DRONE-100W	15,923.3 lm	159.3 lm/W	16.88" x 16.88" x 3.85"	11.68	60° 120°
DRONE-150W	23,541.8 lm	156.9 lm/W	16.88" x 16.88" x 3.85"	11.68	
DRONE-200W	31,248.3 lm	156.2 lm/W	16.88" x 16.88" x 3.85"	13.44	
DRONE-240W	37,727.9 lm	157.2 lm/W	16.88" x 16.88" x 3.85"	13.44	
DRONE-300W	47,169.1 lm	157.2 lm/W	16.88" x 16.88" x 5.82"	18.48	30° 60° 90° 120°
DRONE-400W	62,838.3 lm	157.1 lm/W	16.88" x 16.88" x 5.82"	19.36	
DRONE-480W	75,143.0 lm	156.5 lm/W	16.88" x 16.88" x 5.82"	19.36	

## Photometrics:

### DRONE-200W - 120deg - 50K

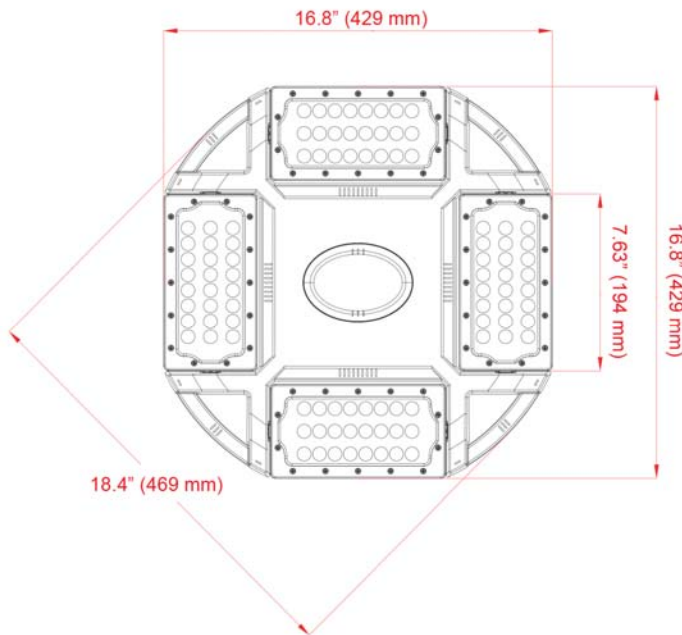


Center Beam fc	Illuminance at a Distance	
	Center Beam fc	Beam Width
9.7ft	120 fc	24.6 ft 25.6 ft
19.3ft	30.4 fc	49.0 ft 50.9 ft
29.0ft	13.5 fc	73.7 ft 76.5 ft
38.7ft	7.56 fc	98.3 ft 102.0 ft
48.3ft	4.85 fc	122.7 ft 127.4 ft
58.0ft	3.37 fc	147.3 ft 152.9 ft

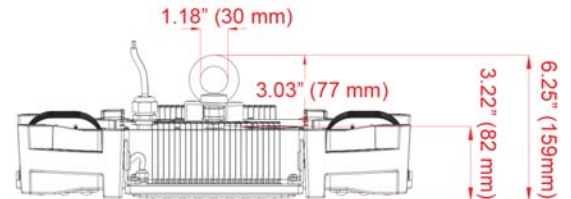
■ Vert. Spread: 103.6°  
■ Horiz. Spread: 105.6°

## Dimensions:

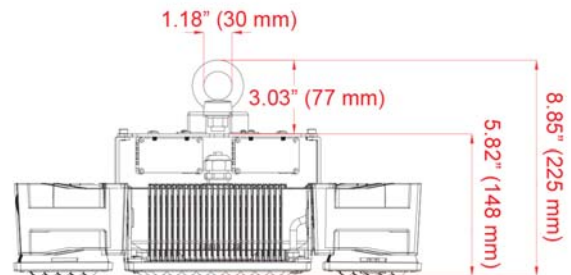
### All Wattages



### DRONE-100W~240W



### DRONE-300W~480W



## Ordering Guide:

<b>DRONE-100W</b>	<b>100-</b>	<b>WH</b>	<b>HR</b>	<b>50K</b>	<b>120°</b>	<b>NDM</b>	
<b>Wattage:</b> DRONE-100W DRONE-150W DRONE-200W DRONE-240W DRONE-300W DRONE-400W DRONE-480W	<b>Voltage:</b> 100-277V 250-528V	<b>Color:</b> WH: White	<b>Mounting:</b> HR: Hanging Ring CM: Chain Mount PM: Pole Mount	<b>CCT:</b> 30K 40K 50K 60K	<b>Beam Angle:</b> (100W~240W) 60° 120°  (300W~480W) 30° 60° 90° 120°	<b>Dimming:</b> NDM: No Dim DM: 1-10V*	<b>Optional Accessories*:</b> MS-A: Integral Microwave Motion Sensor + On-Off Function MS-B: Integral Microwave Motion Sensor + 1-10V Dimming MS-RC: Remote Control Microwave Motion Sensor + 1-10V Dimming (IP65)

\* Additional Costs may apply