



50~300W

Vesta LED Light
Installation and Maintenance Manual
(2015)

Content

Introduction	-----	2
Warning	-----	3
Installation		
A. Chain Mount	-----	4
B. Pendant Mount	-----	5
C. Surface Mount	-----	6
Wiring	-----	7
Specification	-----	8

Introduction

Using only the highest quality components, the Vesta LED Light Fixture is designed for industrial applications where reliability and performance are critical as the bulb maintenance is difficult or impossible, not to mention the high cost.

Every component of the Vesta LED Light Fixture has been carefully engineered to provide the most reliable performance and bring across many benefits of utilizing solid state lighting technology in industrial applications.

Vesta LED Light Fixture is rated IP65, suitable for both indoor and outdoor use.

Product Features:

- Patented thermal management allows -30°C to 45°C ambient working temperature
- System light efficacy above 100lm/W, CRI 80
- 5 years warranty, up to 100,000 hours long life
- Special optical design for precise warehouse lighting
- 40% increase of desired light to aisle and rack
- Extremely low glare
- Easy installation and maintenance
- Dimmable and motion sensor control compatible

Warning

To avoid the risk of fire, explosion, or electric shock, this product should be installed, inspected, and maintained by a qualified electrician only, in accordance with all applicable electrical codes.

To avoid electric shock:

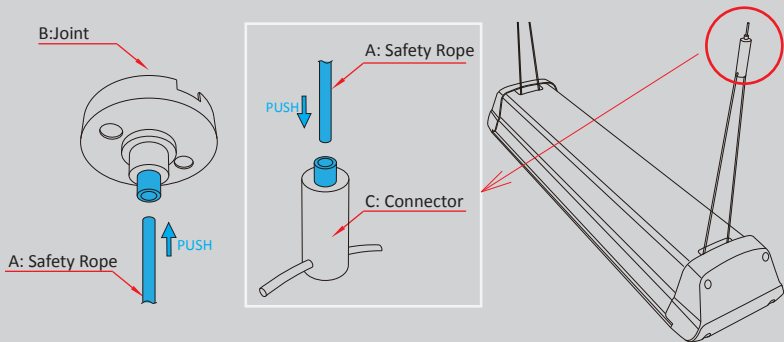
- Be certain electrical power is OFF before and during installation and maintenance.
- Luminaire must be connected to a wiring system with an equipment-grounding conductor.
- Make sure the supply voltage is the same as the rated luminaire voltage.
- Do not operate in ambient temperatures above those indicated on the luminaire nameplate.
- Avoid to use in environments containing sulfur, chlorine, or other halides, methyl acetate or ethyl acetate, cyanoacrylates, glycol ethers, formaldehyde or butadiene.

Installation

For high performance and long term reliability, the light should be installed in free air.

A. Chain Mount

1. Fix joints on the ceiling.
2. Push one end of Safety Rope in the hole of the joint, and other end into Connector.
3. Wiring.(Connect supply wires to luminaire wire leads per the wiring diagram using methods that comply with all applicable codes.)

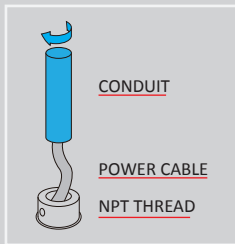


Installation

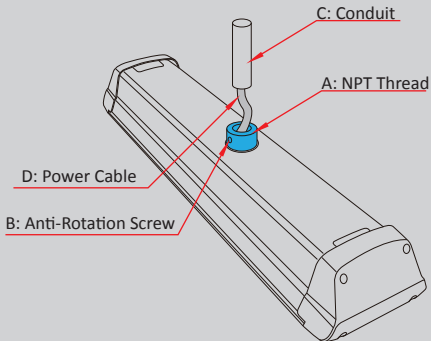
For high performance and long term reliability, the light should be installed in free air.

B. Pendant Mount

1. The fixture is threaded for 1/2" or 3/4" NPT in order to be assembled to conduit.
2. Feed the power cable through the conduit and into the junction box.
3. Attach the fixture to the conduit using Teflon tape and tighten to wrench tight.
4. Insert the anti-rotation screw to secure the fixture to the conduit.
5. Wiring.(Connect supply wires to luminaire wire leads per the wiring diagram using methods that comply with all applicable codes.)



ASSEMBLE

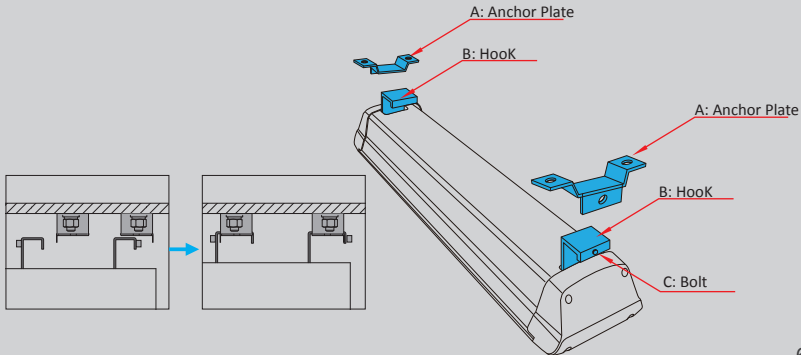


Installation

For high performance and long term reliability, the light should be installed in free air.

C. Surface Mount

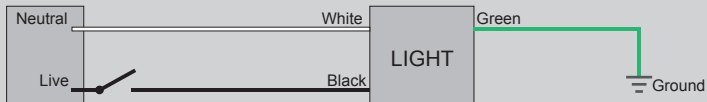
1. Bolt the anchor plate to the ceiling securely.
2. Hook the fixture to the anchor plate.
3. Insert the screw to secure the hook to the anchor plate.
4. Secure the safety rope hook to the field supplied by the second mounting point.
5. Wiring. (Connect supply wires to luminaire wire leads per the wiring diagram using methods that comply with all applicable codes.)



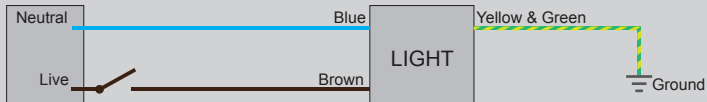
Wiring

1. Connect supply wires to luminaire wire leads per the wiring diagram using methods that comply with all applicable codes.
2. Turn power on.

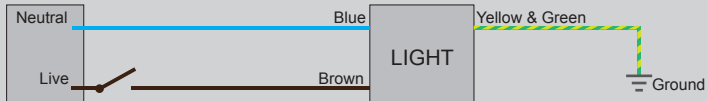
A. American Standard Power Cable



B. European Standard Power Cable



C. Australian Standard Power Cable



Specification

AC Voltage	100~277V	Power Frequency	50/60Hz
Working Temp.	-30~+45°C	Working Humidity	15%~90%RH
Storing Temp.	-40~+70°C	IP Rating	IP65

All statements, technical information and recommendations contained herein are based on information and tests we believe to be reliable. The accuracy or completeness thereof is not guaranteed.

