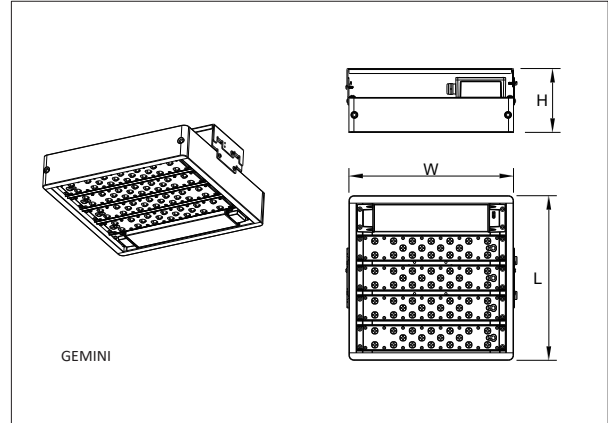


**PLEASE READ THESE INSTRUCTIONS CAREFULLY BEFORE INSTALLATION**

**IMPORTANT INSTALLATION INFORMATION**

1. Normal operating environment and temperature: -40°C- +50°C. Fixtures is suitable for gas station, toll gate, platform, factory and warehouse applications.
2. Before commencing installation or repairs, ensure that power mains are switched off. Only registered or licenced electricians are allowed to conduct installation or repairs.
3. Light fixture should not be installed nearby or on flammable materials and must be installed away from heat sources.
4. Recommended installation height above lighted area: 6-12 meters and suitable for outdoor use.
5. All light fixtures run hot therefore the space surrounding the light fixture shall have adequate airflow spacing of at least 50cm omni-directionally from the outer case. Fire hazards and local safety ordinances shall be taken into consideration by the installer before commissioning.



**Main specifications:**

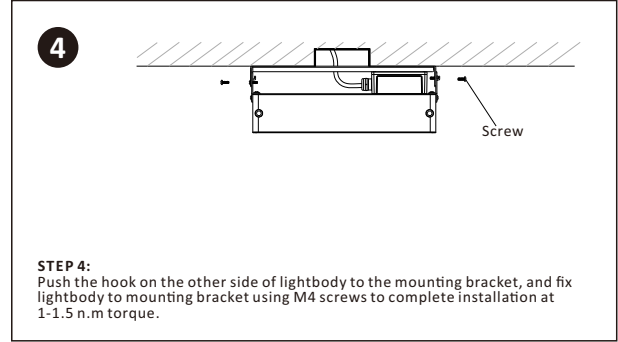
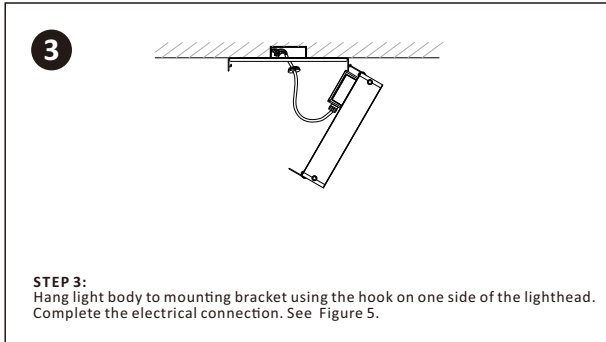
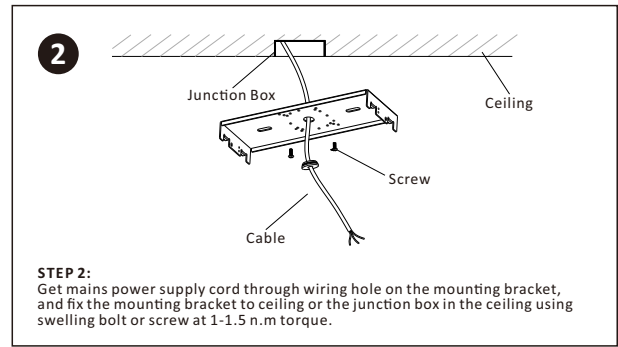
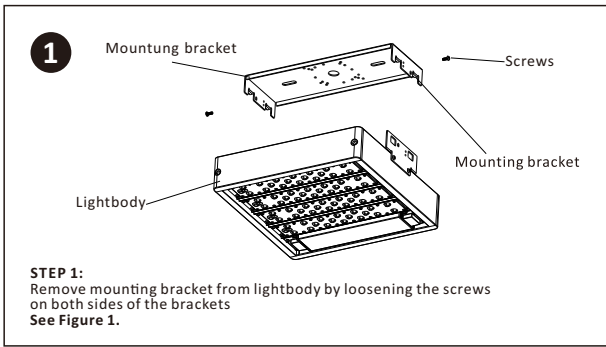
Model No.	System Wattage	No. of leds	Dimensions ( L x W x H)	Net Weight	Working Environment
GEMINI	33W	18	150 (5.91") x 330 (12.99") x 128 mm (5.04")	3.86Kg(8.51 lbs)	-40°C- +50°C
GEMINI	64W	36	210 (8.27") x 330 (12.99") x 128 mm (5.04")	4.93Kg(10.87 lbs)	
GEMINI	92W	54	270 (10.63") x 330 (12.99") x 128 mm (5.04")	5.96Kg(13.14 lbs)	
GEMINI	121W	72	330 (12.99") x 330 (12.99") x 128 mm (5.04")	6.45Kg(14.22 lbs)	
GEMINI	151W	90	390 (15.35") x 330 (12.99") x 128 mm (5.04")	6.94Kg(15.30 lbs)	
GEMINI	182W	108	510 (20.08") x 330 (12.99") x 128 mm (5.04")	9.57Kg(21.10 lbs)	
GEMINI	211W	126	570 (22.44") x 330 (12.99") x 128 mm (5.04")	10.15Kg(22.37 lbs)	
GEMINI	240W	144	630 (24.80") x 330 (12.99") x 128 mm (5.04")	11.16Kg(24.60 lbs)	
GEMINI	267W	162	690 (27.17") x 330 (12.99") x 128 mm (5.04")	11.86Kg(26.15 lbs)	
GEMINI	296W	180	750 (29.53") x 330 (12.99") x 128 mm (5.04")	12.58Kg(27.73 lbs)	
<b>Input Voltage:</b> 120-277VAC or 220-240 VAC 50/60Hz, 30W/module					

Model No.	System Wattage	No. of leds	Dimensions ( L x W x H)	Net Weight	Working Environment
GEMINI	42W	18	150 (5.91") x 330 (12.99") x 128 mm (5.04")	3.86Kg(8.51 lbs)	-40°C- +50°C
GEMINI	84W	36	210 (8.27") x 330 (12.99") x 128 mm (5.04")	4.93Kg(10.87 lbs)	
GEMINI	125W	54	270 (10.63") x 330 (12.99") x 128 mm (5.04")	5.96Kg(13.14 lbs)	
GEMINI	166W	72	330 (12.99") x 330 (12.99") x 128 mm (5.04")	6.45Kg(14.22 lbs)	
GEMINI	205W	90	450 (17.72") x 330 (12.99") x 128 mm (5.04")	8.22Kg(18.12 lbs)	
GEMINI	246W	108	510 (20.08") x 330 (12.99") x 128 mm (5.04")	9.57Kg(21.10 lbs)	
GEMINI	285W	126	570 (22.44") x 330 (12.99") x 128 mm (5.04")	10.15Kg(22.37 lbs)	
GEMINI	323W	144	630 (24.80") x 330 (12.99") x 128 mm (5.04")	11.16Kg(24.60 lbs)	
<b>Input Voltage:</b> 120-277VAC or 220-240VAC 50/60Hz, 40W/module					

Model No.	System Wattage	No. of LEDs	Dimensions ( L x W x H)	Net Weight	Working Environment
GEMINI	84W	36	210 (8.27") x 330 (12.99") x 128 mm (5.04")	4.93Kg(10.87 lbs)	-40°C- +50°C
GEMINI	125W	54	270 (10.63") x 330 (12.99") x 128 mm (5.04")	5.96Kg(13.14 lbs)	
GEMINI	166W	72	330 (12.99") x 330 (12.99") x 128 mm (5.04")	6.45Kg(14.22 lbs)	
GEMINI	205W	90	450 (17.72") x 330 (12.99") x 128 mm (5.04")	8.22Kg(20.24 lbs)	
GEMINI	246W	108	510 (20.08") x 330 (12.99") x 128 mm (5.04")	9.57Kg(21.10 lbs)	
GEMINI	285W	126	570 (22.44") x 330 (12.99") x 128 mm (5.04")	10.15Kg(22.37 lbs)	
GEMINI	323W	144	630 (24.80") x 330 (12.99") x 128 mm (5.04")	11.16Kg(24.60 lbs)	
<b>Input Voltage:</b> 347-480VAC 40W/module					

LEAVE A COPY FOR THE USER / MAINTENANCE ENGINEER FOR FUTURE REFERENCE

### Installation Instruction & Installation Steps



### Safety Notice

#### WIRING INSTRUCTION

##### \*\*\*IF THERE IS JUNCTION BOX IN CEILING:

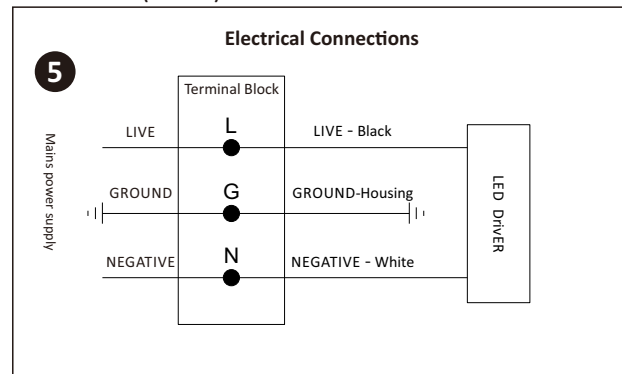
- STEP I:** Connect the LINE wire in the mains power supply cord to black LINE wire from lightbody via a terminal block.
- STEP II:** Connect the NEUTRAL wire in the mains power supply cord to white NEUTRAL wire from lightbody via a terminal block.
- STEP III:** Connect the green grounding wire in the mains power supply cord to green grounding wire from lightbody via a terminal block.
- STEP III:** Push back the connected wires into junction box.

##### \*\*\*EXTERNAL JUNCTION BOX:

- STEP I:** Open the lid of the external junction box.
- STEP II:** Connect the LINE wire in the mains power supply cord to the L marked hole in the terminal block from the external junction box, and tighten the connection properly.
- STEP III:** Connect the NEUTRAL wire in the mains power supply cord to the N marked hole in the terminal block from the external junction box, and tighten the connection properly.
- STEP IV:** Connect the YELLOW/GREEN GROUNDING wire in the mains power supply cord to the G marked hole in the terminal block from the external junction box, and tighten the connection properly.
- STEP V:** Close the junction box, and fasten the screws to fix the lid to the junction box body.

### Alternating Current

Input wire H07RN-F 3x1.5mm<sup>2</sup> (SJOW 3 \* 18AWG) or rubber sheathed cable (not supplied). Conductor must have a minimum cross-sectional area of 1.0mm<sup>2</sup> (18AWG).



#### Common causes and solution

Encountered Problem	Possible Cause	Remedy
Module does not light up	Internal wire disconnected	Open fixture and locate loose wires, reconnect connectors or wires and close cover. And retest.
	LED driver failure	Open fixture and check for disconnected wiring. If all wires are fine, replace LED driver with new one and test.
	Module Failure	If all the above remedies are trialed then the light module has most likely failed. Contact us for replacement and warranty information.



This logo indicates that this product must not be disposed of with other waste. Please recycle used lamps to prevent environmental hazard and threats to human health resulting from improper disposal.