

ORION-HT Series

Applications:

The ORION-HT series improves upon the ORION series by offering a flexible, modular design; high efficacy (130 lm/W), and most notably, the ability to withstand high temperatures (up to 176° F) thanks in part to it's die-cast, marine grade aluminum housing. This luminaire has a life span of over 100,000 calculated hours and is available in a variety of mounting options, beam angles, and wattages for specific user needs; making the ORION-HT a very versatile option for your lighting needs.



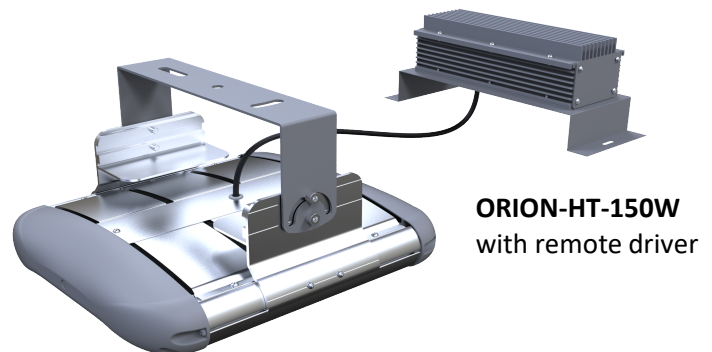
Features:

- **Application:** LED High Bay / LED Flood Light
- **Mounting:** Yoke / Hook / Chain Mount
- **Warranty:** 5 Years
- **LED Driver:** Meanwell/Inventronics/Sosen
- **LED Source:** Osram/Philips Lumileds
- **Operating Temperature:** -22°F ~ 176°F *
- **Housing Material:** Die cast, marine grade aluminum
* up to 212°F fixture with remote driver



Technical Data:

Certifications	ETL
CRI	≥ 80
IP Rating	IP66, IK10
CCT	4500K ~ 5500K
Input Voltage	100-277V



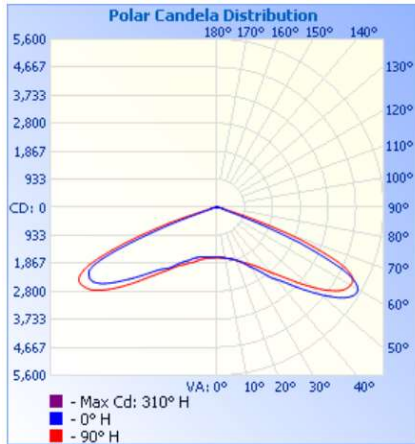
ORION-HT-150W
with remote driver

Specifications:

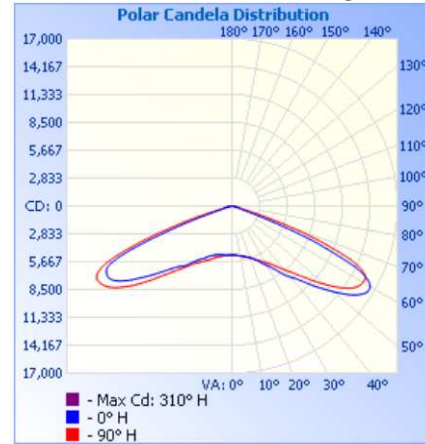
Fixture Model	Total Lumens (5000K)	Efficacy (lm/w)	Dimensions (inches)	Weight (lbs)	Beam Angle
ORION-HT 50W	7,000 lm	140 lm/W	10.7 x 14.4 x 9.64	11.5	See Ordering Guide
ORION-HT 100W	14,000 lm	140 lm/W	12.1 x 14.4 x 9.64	17.2	
ORION-HT 150W	21,000 lm	140 lm/W	15.8 x 14.4 x 9.64	20.5	
ORION-HT 200W	28,000 lm	140 lm/W	19.5 x 14.4 x 9.64	23.6	
ORION-HT 300W	42,000 lm	140 lm/W	26.9 x 14.4 x 9.64	36.4	
ORION-HT 450W	63,000 lm	140 lm/W	38.1 x 14.4 x 9.64	61.7	

Photometrics:

ORION-150W-150deg



ORION-450W-150deg



	Center Beam fc		Beam Width	
	17.6 fc	5.9 ft	21.5 ft	
9.7ft	4.45 fc	11.8 ft	42.8 ft	
19.3ft	1.97 fc	17.7 ft	64.3 ft	
29.0ft	1.11 fc	23.6 ft	85.8 ft	
38.7ft	0.71 fc	29.5 ft	107.1 ft	
48.3ft	0.49 fc	35.4 ft	128.6 ft	
58.0ft				

■ Vert. Spread: 33.9°
■ Horiz. Spread: 95.9°

	Center Beam fc		Beam Width	
	52.9 fc	5.9 ft	21.5 ft	
9.7ft	13.4 fc	11.8 ft	42.8 ft	
19.3ft	5.92 fc	17.7 ft	64.3 ft	
29.0ft	3.32 fc	23.6 ft	85.8 ft	
38.7ft	2.13 fc	29.5 ft	107.1 ft	
48.3ft	1.48 fc	35.4 ft	128.6 ft	
58.0ft				

■ Vert. Spread: 33.9°
■ Horiz. Spread: 95.9°

Ordering Guide:

ORION-HT 200W	100-277V	GR	YOKE	40K	150° x 150°	
----------------------	-----------------	-----------	-------------	------------	--------------------	--

Wattage:

50W
100W
150W
200W
300W
450W

Input Voltage:

100-277V
200-480V

Color:

GR: Gray
RAL 7045

Mount:

YM: Yoke Mount
YM+HR: Yoke + Hanging Ring



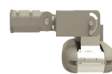
180YM: 180° Vertical Yoke



360YM: 360° Vertical Yoke



YM+SF: Yoke + Slipfitter



SM: Surface Mount Brackets



CCT:

45K
50K
55K

Beam Angles:

Type I
30° x 100°
60° x 100°
130° x 70°

Type II
70° x 135°
75° x 145°

Type III
60° x 150°

Type IV
73° x 133°

Type V
20° x 20°
30° x 30°
50° x 50°
90° x 90°
110° x 110°
150° x 150°

Optional Accessories:
DM: Dimmable
MS: Microwave Sensor