

Product Description:

The Pristine Series is an exceptional high bay that has a modern aesthetic and smooth appearance - a favorite among architects and for design-focused applications. With an output of 23,000 lumens and a projected lifespan of 100,000 hours, it is the perfect replacement for 400W Metal Halide. The mounting options include a Hanging Ring, Pendant Mount, or Surface Mount. The luminaire provides safety measures such as stainless steel screws and no glass materials. The Pristine also has an internal auto turn-off capability for when the fixture is being disassembled.



Features:

- **Mounting:** Hanging Ring / Surface Mount / 1/2" NPT Pendant
- **Warranty:** 5 Years (fixture) 2 Years (EM battery)
- **LED Driver:** Sosen
- **LED Source:** Nichia
- **Operating Temperature:** -22°F ~+ 122°F / Option: Up to 140°F
- **Power Factor:** >0.93
- **Housing Material:** Die-cast Aluminum Alloy

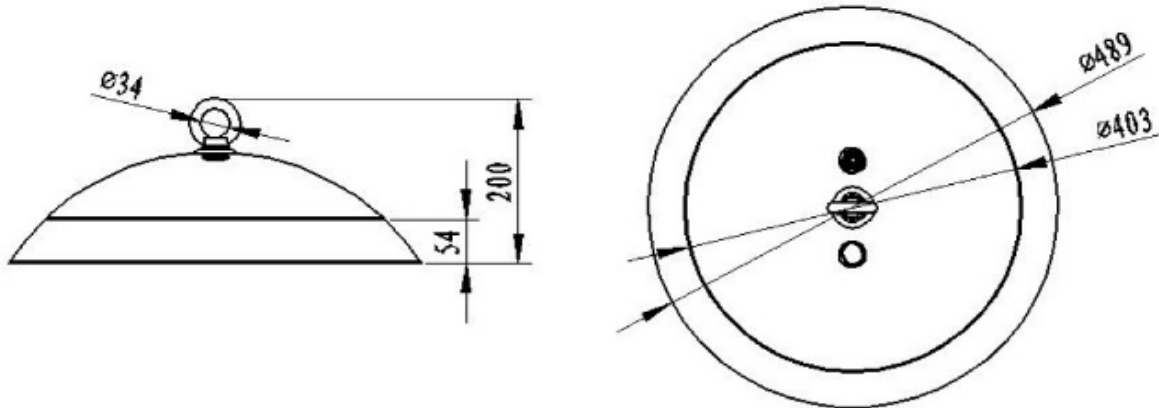
Technical Data:

Certifications	UL
CRI	≥ 80
IP Rating	IP66
CCT	3000K ~ 5000K
Input Voltage	100-277V / 277-480V (N/A for 200W)

Specifications:

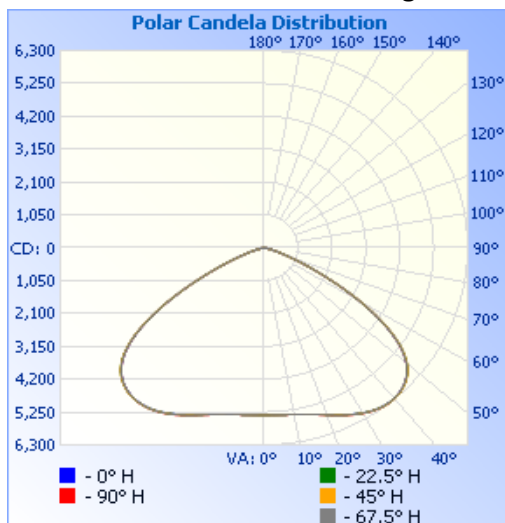
Model Name	Total Lumens (5K/120Deg)	Efficacy (lm/w)	Metal Halide Replacement (26-30 ft)	Dimensions (inches - Diam x Height)	Weight (lbs)	Beam Angle
PRISTINE-100W	12,562.4 lm	>125 lm/W	~250W MH	19.25 Dia. x 7.87 H	20.06	50° / 90° / 120° (clear lens) 120° (frosted)
PRISTINE-120W	15,401.1 lm	>128 lm/W	~300W MH	19.25 Dia. x 7.87 H	20.06	
PRISTINE-150W	20,033.0 lm	>133 lm/W	~360W MH	19.25 Dia. x 7.87 H	20.5	
PRISTINE-200W	23,338.8 lm	>116 lm/W	~400W MH	19.25 Dia. x 7.87 H	20.5	

Dimensions (mm):



Photometrics:

PRISTINE-150W-5K-120deg



	Center Beam fc	Beam Width	
9.7ft	56.8 fc	31.4 ft	27.6 ft
19.3ft	14.3 fc	62.4 ft	54.8 ft
29.0ft	6.35 fc	93.8 ft	82.4 ft
38.7ft	3.57 fc	125.1 ft	110.0 ft
48.3ft	2.29 fc	156.2 ft	137.2 ft
58.0ft	1.59 fc	187.5 ft	164.8 ft

■ Vert. Spread: 116.5°
■ Horiz. Spread: 109.7°

Ordering Guide:

PRISTINE-150W	100-277V	GR	HR	50K	120° CL	DM	
----------------------	-----------------	-----------	-----------	------------	----------------	-----------	--

Wattage:	Voltage:	Color:	Mounting:	CCT:	Beam Angle:	DM:	Optional Accessories*:
100W	100-277V	GR: Gray	HR: Hanging Ring	30K	50° Clear	1-10V	[MS]: Motion Sensor
120W	277-480V	WH: White		40K	90° Clear	Dim	[EM]: EM Battery
150W	(N/A for 200W)		SM: Surface Mount*	50K	120° Clear		[SC]: Safety Cable
200W					120° Frosted		[AC]: Acrylic Cover
			PM 1/2: 1/2" NPT Pendant*				
			PM 3/4: 3/4" NPT Pendant with Adapter*				

*additional costs apply