

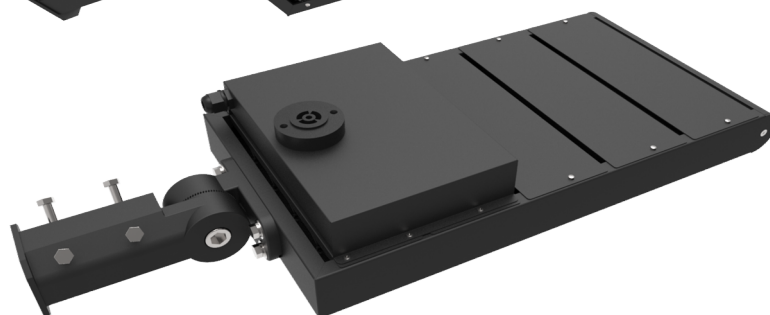
Product Description:

The ULTIMA Series thin design coincides with the ultra fine graphene honeycomb mesh used inside the LED module. The Graphene and Graphene composite materials have remarkable physical properties; its is ultra-light yet, extremely strong, and flexible. The ULTIMA is extremely versatile; offering a strong lumen output as well as having a wide range of optics to choose from; providing a lot of solutions to your lighting application needs.



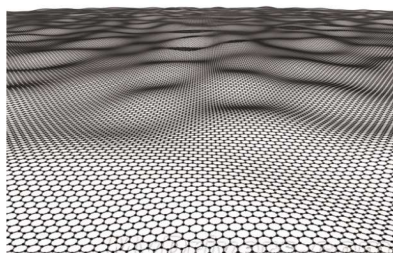
Features:

- **Application:** LED Area Light (Shoebox)
- **Mounting:** Slipfitter / Straight-Arm
- **Warranty:** 5 Years
- **LED Driver:** Sosen
- **LED Source:** CREE / Lumileds 3030
- **Operating Temperature:** -22°F ~+ 122°F
- **Housing Material:** Die cast aluminum housing



Technical Data:

Certifications	ETL
CRI	≥ 70
IP Rating	IP66
CCT	2500K-5500K
Input Voltage	100-277V



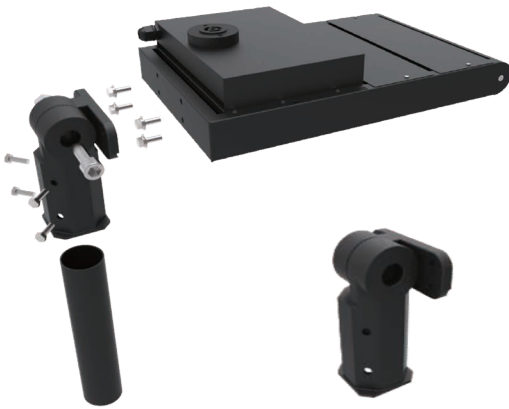
* Artist rendering of corrugated Graphene mesh sheet

Specifications:

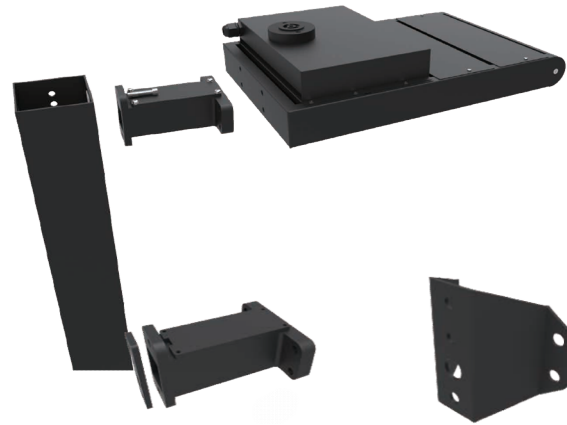
Fixture Model	Total Lumens	Efficacy (lm/w)	Number of Modules	Dimensions (inches)	Weight	Beam Angle
ULTIMA-100W	13,000 lm	≥130	2	17.6" x 11.5" x 3.9"	7.7 lbs	30°x100° (TI VS Cutoff) 60°x100° (TI VS Cutoff) 70°x135° (TII S Cutoff) 75°x145° (TII M Cutoff) 60°x150° (TIII M Semi Cutoff) 73°x133° (FT Type IV S-Full) 30° (Type V VS Cutoff) 90° (Type V VS Cutoff) 110° (Type V VS Cutoff) 150° (Type V VS Cutoff)
ULTIMA-150W	19,500 lm	≥130	3	21.6" x 11.5" x 3.9"	9.9 lbs	
ULTIMA-200W	26,000 lm	≥130	4	25.5" x 11.5" x 3.9"	12.1 lbs	
ULTIMA-250W	32,500 lm	≥130	5	29.4" x 11.5" x 3.9"	14.3 lbs	
ULTIMA-300W	39,000 lm	≥130	6	33.3" x 11.5" x 3.9"	18.7 lbs	

Mounting Options

Slipfitter Mounting



Side Arm Mounting

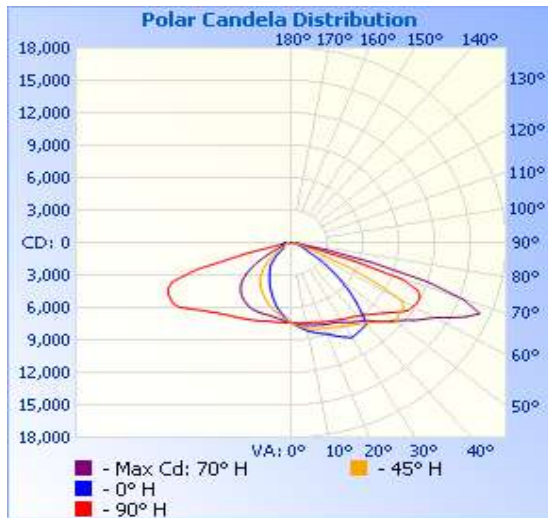


Option A

Option B

Illuminance Chart

ULTIMA-200W/4000K/TYPE II Med (75°x145°)



Illuminance at a Distance			
	Center Beam fc	Beam Width	
9.7ft	78.5 fc	12.5 ft	50.8 ft
19.3ft	19.8 fc	24.8 ft	101.1 ft
29.0ft	8.78 fc	37.3 ft	151.9 ft
38.7ft	4.93 fc	49.7 ft	202.7 ft
48.3ft	3.16 fc	62.1 ft	253.0 ft
58.0ft	2.19 fc	74.5 ft	303.8 ft

■ Vert. Spread: 65.5°
■ Horiz. Spread: 138.2°

Ordering Guide:

ULTIMA-150W	BL	100-277V	SL	50K	T3	[DM][PR][3P]
Wattage: 100W 150W 200W 250W 300W	Color: BL: Black	Voltage: 100-277V	Mounting: SL: Slipfitter SA1: Straight Arm (Option A) SA2: Straight Arm (Option B)	CCT: 30K 40K 50K 57K	Beam Angle: 30° (T5) 90° (T5) 110° (T5) 150° (T5) 30°x100° (T1) 60°x100° (T1) 70°x135° (T2) 75°x145° (T2) 60°x150° (T3) 73°x133° (T4)	Optional Accessories: [DM]: Dimming [PR]: NEMA Photo Receptacle [BB]: Battery Backup