

GEMINI Installation Manual

PLEASE READ THESE INSTRUCTIONS CAREFULLY BEFORE INSTALLATION

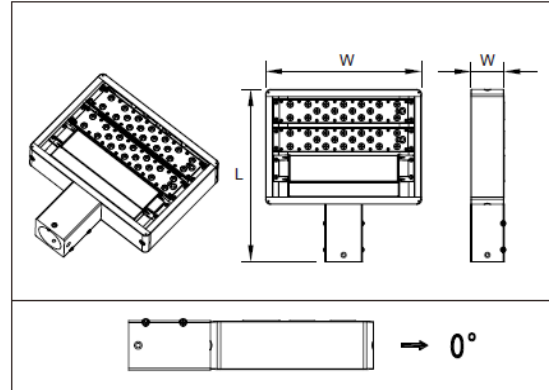
IMPORTANT INSTALLATION INFORMATION

1. Before commencing installation or maintenance, ensure electricity is switched off at the mains. Installation or maintenance should be carried out by a qualified electrician.

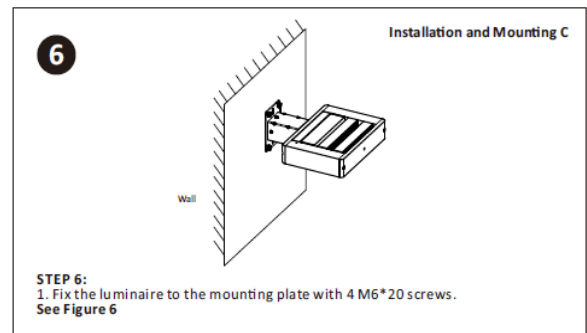
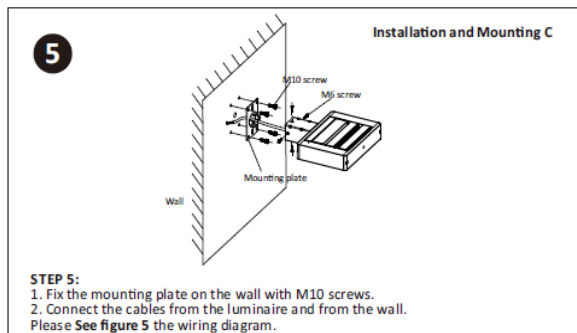
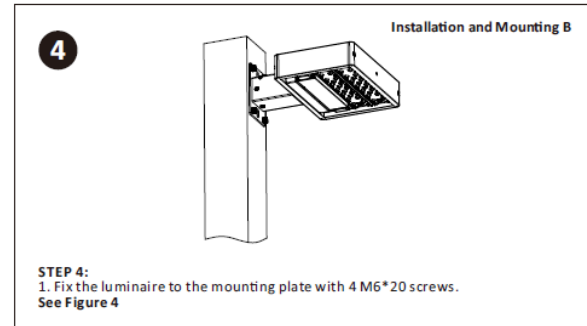
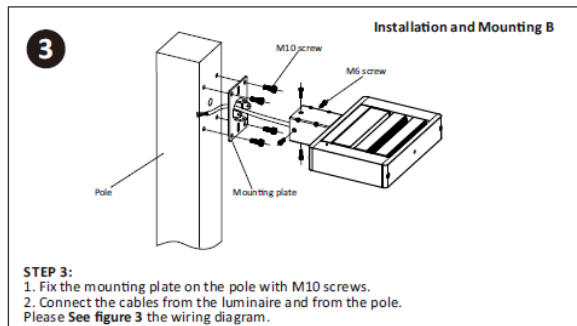
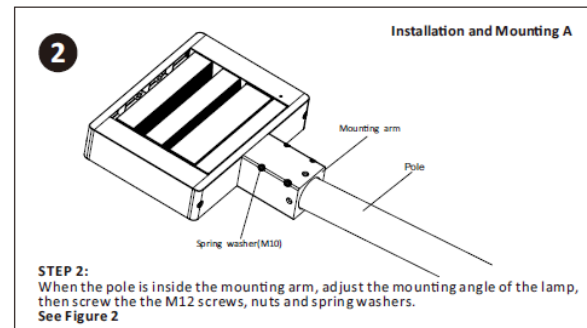
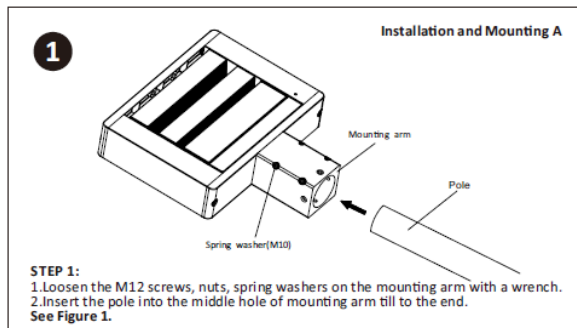
2. The luminaire must not, under any circumstances, be installed directly to flammable materials, and luminaires must not be covered with any flammable materials.

3. Mounting height range of 6 to 12 meters, this model is suitable for outdoor lighting.

4. Ensure there is adequate free air circulation of at least 50cm around the luminaire. All luminaires run hot. It is the installer's responsibility to consider fire risk and take appropriate precautions.



Installation Instruction & Installation Steps



Safety Notice

WIRING INSTRUCTION

Alternating Current

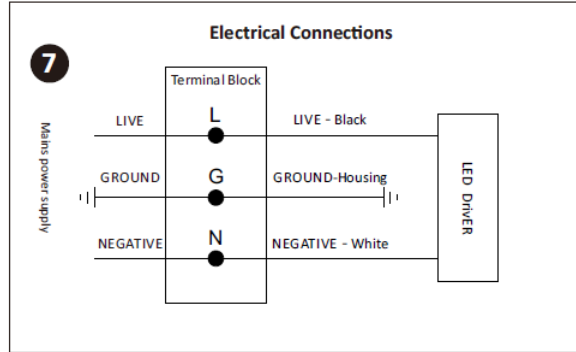
***IF THERE IS JUNCTION BOX IN CEILING:

STEP I: Connect the LINE wire in the mains power supply cord to black LINE wire from lightbody .

STEP II: Connect the NEUTRAL wire in the mains power supply cord to white NEUTRAL wire from lightbody .

STEP III: Connect the green grounding wire in the mains power supply cord to green grounding wire from lightbody .

Input wire H07RN-F 3x1.5mm² (SJOW 3 * 18AWG) or rubber sheathed cable (not supplied). Conductor must have a minimum cross-sectional area of 1.0mm² (18AWG).



STEP 7:
Reference "Electrical Connections" section for completing electrical connections.
See Figure 7



This logo indicates that this product must not be disposed of with other waste.
Please recycle used lamps to prevent environmental hazard and threats to human health resulting from improper disposal.