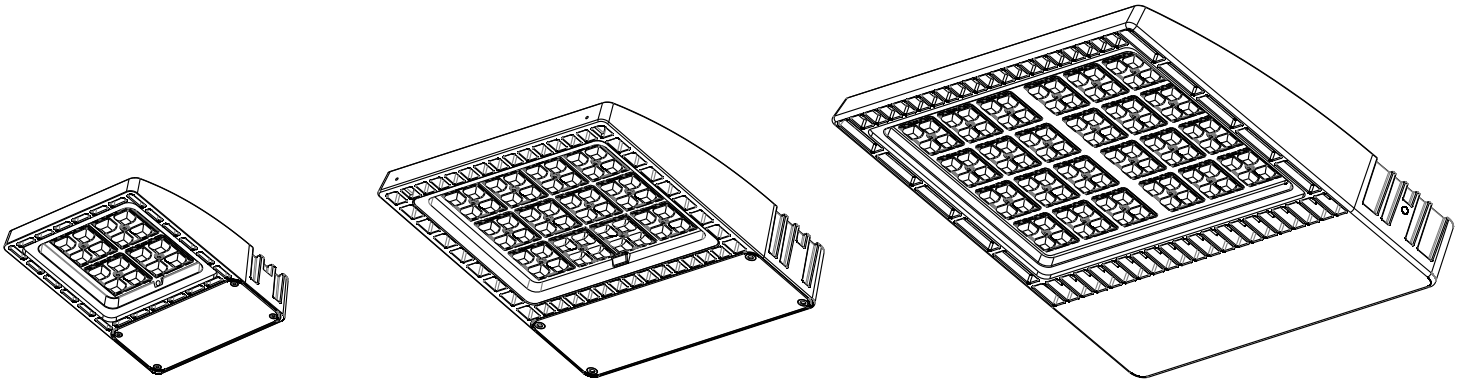


INSTALLATION INSTRUCTIONS



IMPORTANT SAFEGUARDS

When using electrical equipment, basic safety precautions should always be followed including the following:

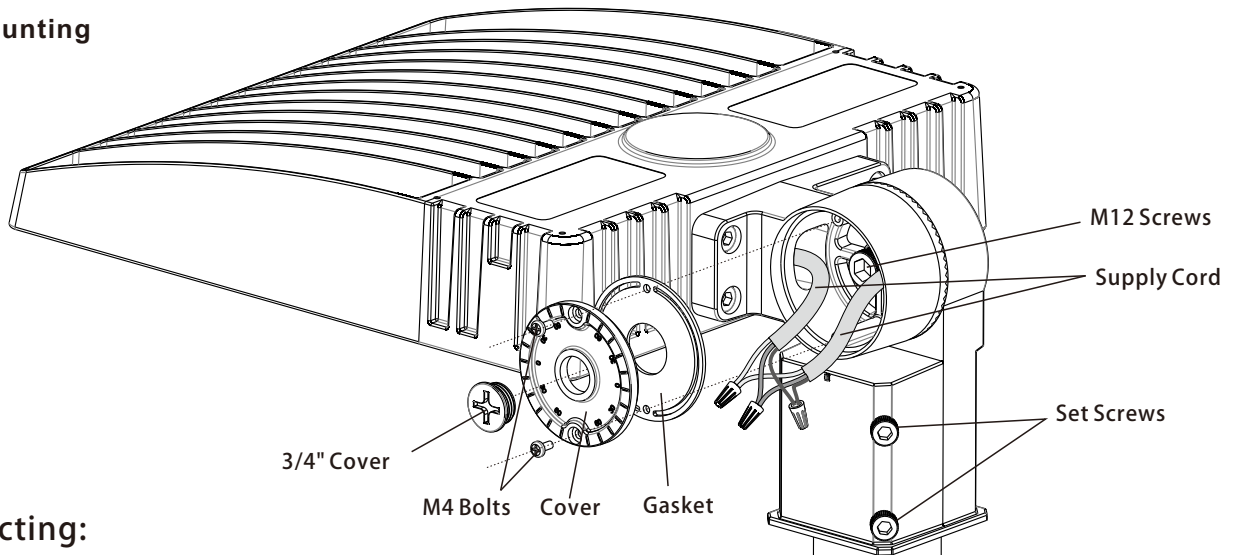
READ AND FOLLOW ALL SAFETY INSTRUCTIONS

1. DANGER- Risk of shock- Disconnect power before installation.
2. This luminaire must be installed in accordance with the NEC or your local electrical code. If you are not familiar with these codes and requirements, consult a qualified electrician.
3. Ensure the mounting surface is capable of supporting the weight of the luminaire after installation.
4. If NEMA Photo Control is installed refer to NEMA Receptacle Section for instructions.
5. Due to the weight of the luminaire, 2 people may be necessary during installation.

SAVE THESE INSTRUCTIONS FOR FUTURE REFERENCE

TO INSTALL

Slip Fitter Mounting



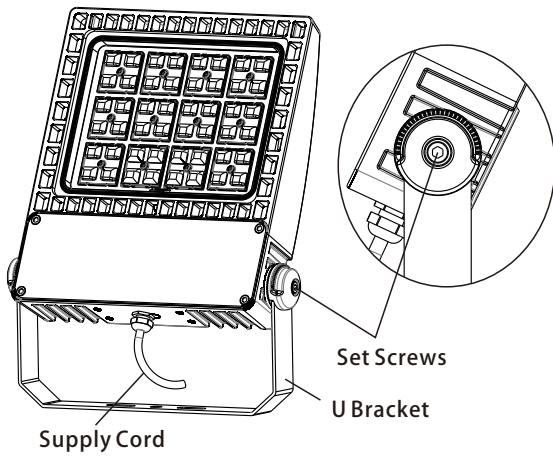
Wire Connecting:

- (1) Remove the M4 bolts located in the cover and open the Cover, take the Supply Cord out.
- (2) Fix the fixture to the pole by tighten the two Set Screws.
- (3) Connect the Supply Cord of Line, Neutral and Ground to the appropriated fixtures leads.
- (4) Close the cover, tighten the M4 bolts.

Adjust the angle to an appropriate angle

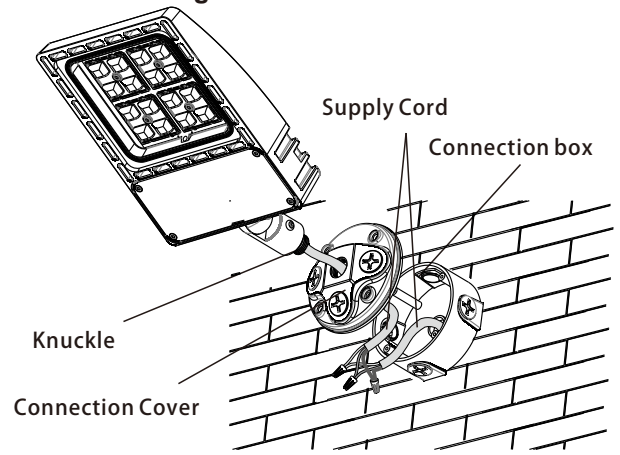
- (A) Remove the 3/4" cover.
- (B) Loosen the M12 screws, adjust the direction of the body as request. then tighten the M12 screws.
- (C) Install the 3/4" cover.

U Bracket Mounting



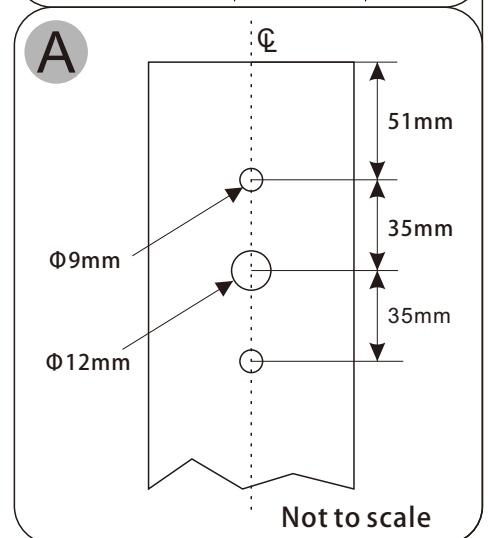
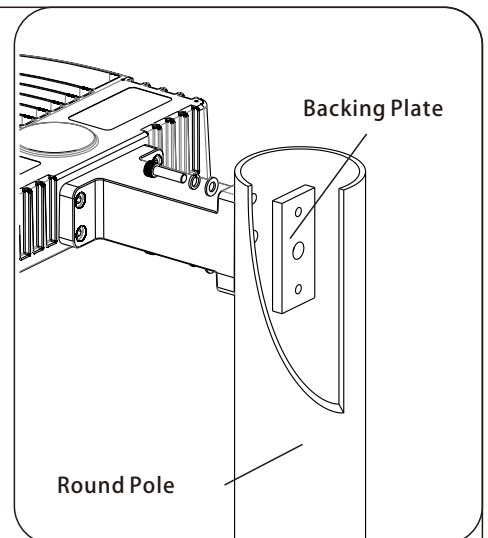
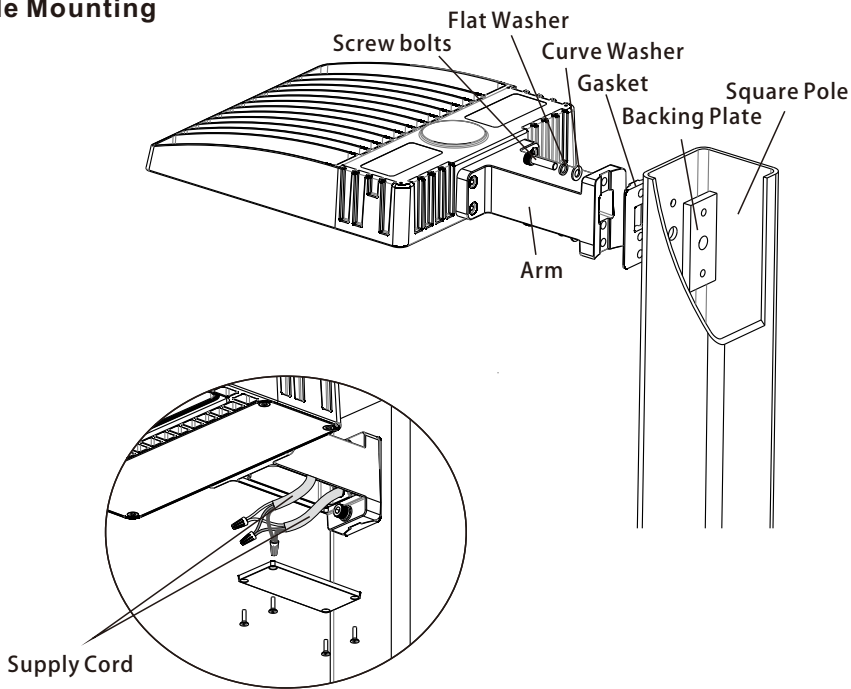
Loosen the Set Screws of the two sides, adjust the angle to an appropriate angle, then tighten the Set Screws.

Knuckle Mounting



Screw the knuckle to the connection box. Connect the wires in the connection box, and screw the cover tightly. Adjust the direction of the body as request, and tighten the screws.

Pole Mounting



- (1) Use dimensions on template shown in Figure A for drilling if pole is not pre-drilled.
- (2) Insert Backing Plate with pre-assembled bolt through the top mounting hole.
- (3) Place gasket over bolt extending from pole.
- (4) Place the top hole of the Universal mounting arm over the top bolt from the pole and secure with backing plate.
- (5) Unscrew the arm cover, and connect the wires in the arm. dress the wire terminals inside the arm and screw the arm cover.

CLEANING & MAINTENANCE

CAUTION: Be sure fixture temperature is cool enough to touch. Do not clean or maintain while fixture is energized.

1. Clean lens & fixture with non-abrasive cleaning solution.
2. Do not open fixture to clean the LED. Do not touch the LED.

TROUBLESHOOTING

1. Check that the line voltage at fixture is correct.
2. Be sure the fixture is grounded properly?