

# AG ALL GREEN LIGHTING, INC.

## DOB-WP (Driver on Board) Series

### Product Description:

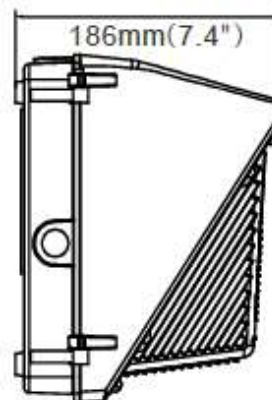
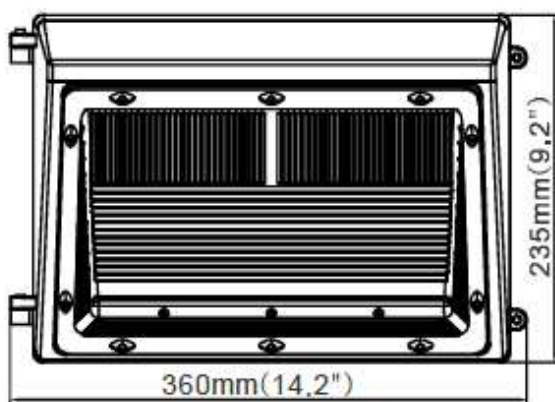
The DOB-WP (Driver on Board-Wall Pack) series utilizes innovative **Driver on Board** technology in a LED Wall Pack luminaire. By providing the benefits of the latest in driver technology, the DOB-WP has become one of the most efficient and reliable luminaires in the market. The improved design eliminates some of the parts and much of the weight of traditional wall pack luminaires. And less parts means less production cost, which results in better pricing and lower quotes. The DOB-DTD Series is the better alternative for traditional LED wall pack fixtures - providing quick payback and improved performance.



### Specifications:

- **ETL Listed, suitable for wet locations**
- **Power Factor:** >0.95 at full load
- **Total Harmonic Distortion:** <20% at full load
- **CRI:** 70
- **RoHS** dark sky compliant
- **Operating Temperature:** -40°F ~ 140°F
- **IP65** rated
- **Finish:** Exterior parts are protected by a Super Durable powder coat finish that provides superior resistance to corrosion and weathering. The multi-stage process ensures a minimum 3 mils thickness for a finish that can withstand extreme climate changes without cracking or peeling. The luminaire is then tested in accordance with ASTM Standard B 117 (3,000 hour salt fog spray test).
- **Warranty:** 5 year standard warranty on components (100,000 hours)
- **Dimming:** 0-10v dimming capabilities. Controls by others.
- **Vibration:** Certified to ANSI C136.31 3G standards.
- **Surge Protection:** Integral 10kV surge suppression protection standard. Tested in accordance with ANSI C62.41.2

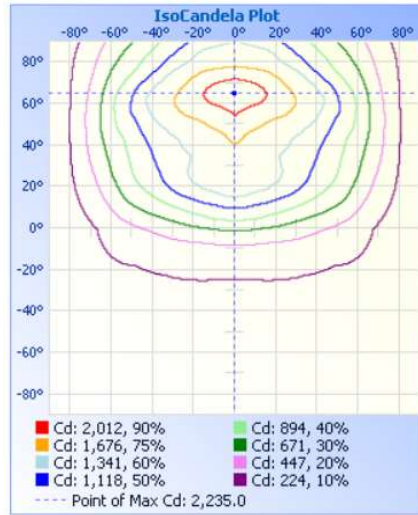
### Dimensions:



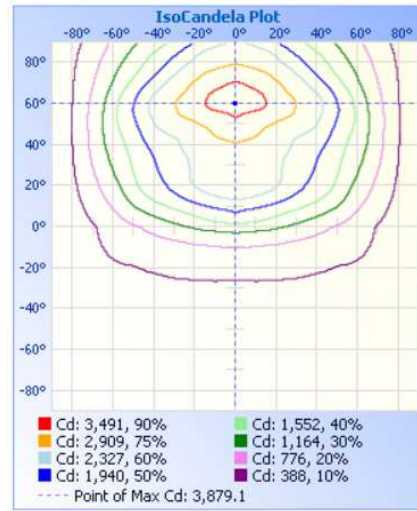
Luminaire  
Width :360mm ( 14. 2")  
Depth: 186mm(7.4")  
Height:235mm(9.2")  
Weight:6kg(12.2lb)

## Photometrics:

**DOB-WP-45W-30K-T4**



**DOB-WP-80W-30K-T4**



**Illuminance at a Distance**

Center Beam fc	Beam Width
8.3ft	10.3 fc 15.5 ft 19.4 ft
16.7ft	2.55 fc 31.1 ft 39.0 ft
25.0ft	1.14 fc 46.6 ft 58.4 ft
33.3ft	0.64 fc 62.0 ft 77.8 ft
41.7ft	0.41 fc 77.7 ft 97.4 ft
50.0ft	0.28 fc 93.1 ft 116.8 ft

Vert. Spread: 85.9°  
Horiz. Spread: 98.8°

**Illuminance at a Distance**

Center Beam fc	Beam Width
8.3ft	20.0 fc 15.9 ft 19.8 ft
16.7ft	4.95 fc 31.9 ft 39.9 ft
25.0ft	2.21 fc 47.7 ft 59.7 ft
33.3ft	1.24 fc 63.6 ft 79.6 ft
41.7ft	0.79 fc 79.6 ft 99.6 ft
50.0ft	0.55 fc 95.5 ft 119.5 ft

Vert. Spread: 87.4°  
Horiz. Spread: 100.1°

To view complete photometric reports or download IES files - please visit our website [www.AllGreenLightingInc.com](http://www.AllGreenLightingInc.com)

Files, test reports, and certifications are available upon request:

IES files, photometric layouts, LM-79 reports, TM-21 reports, LM-80 reports, ANSI C-136 3G Vibration, ANSI C62.41.2 Surge Test, RoHS certificate, ASTM B117 3,000 hour salt fog spray test, Ingress Protection certification, UL certifications, etc.

## Lumen Chart:

Model	LED Current	Watts	3000K , 70 CRT		4000K , 70CRT		5000K , 70CRT		5700K , 70CRT		Beam Angle 205°
			Lumens	LPW	Lumens	LPW	Lumens	LPW	Lumens	LPW	
DOB-WP-45W	70mA	45W	5,058	112	5051	112	5,121	114	5262	117	
DOB-WP-60W	70mA	60W	6,895	115	6992	116	7,089	118	7283	121	
DOB-WP-80W	70mA	80W	8,819	110	9322	116	9,452	118	9711	121	

Lumen values are from photometric tests performed in accordance with IESNA LM-79-08. Data is representative of the configuration shown above and actual performance may differ as a result of end user environment and application.

## Ordering Guide:

<b>DOB-WP-45W</b>	<b>BR</b>	<b>120V</b>	<b>40K</b>	<b>Wall</b>	
<b>Wattage:</b> 45W 60W 80W	<b>Color:</b> BL: Black BR: Bronze GR: Gray	<b>Voltage:</b> 120V 240V 277V	<b>CCT:</b> 3000K 4000K 4500K 5000K 5700K	<b>Mounting:</b> Wall Mount	<b>Optional Accessories:</b> BPC: Button Photocell DM: 0-10V dimming, controls by others MS: Motion Sensor