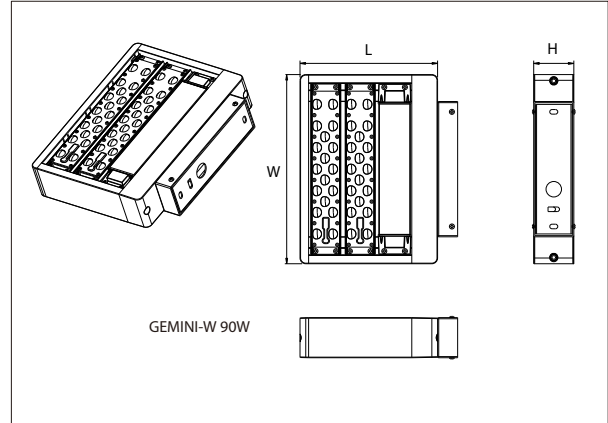


PLEASE READ THESE INSTRUCTIONS CAREFULLY BEFORE INSTALLATION

IMPORTANT INSTALLATION INFORMATION

1. Normal operating environment and temperature: -40% +50%
Fixtures is suitable for area lighting and safety lighting.
2. Before commencing installation or repairs, ensure that power mains are switched off. Only registered or licenced electricians are allowed to conduct installation or repairs.
3. Light fixture should not be installed nearby or on flammable materials and must be installed away from heat sources.
4. Recommended installation height above lighted area: 1.8-3 meters and suitable for outdoor & indoor use.
5. All light fixtures run hot therefore the space surrounding the light fixture shall have adequate airflow spacing of at least 50cm omni-directionally from the outer case. Fire hazards and local safety ordinances shall be taken into consideration by the installer before commissioning.



Main specifications:

Model No.	System Wattage	No. of leds	Dimensions (L x W x H)	Net Weight	EPA*	Working Environment	IP
GEMINI-W 30W	33W	18	215 (8.46") X 330 (12.99") X 70 mm (2.76")	4.19kg(9.24 lbs)	0.283sq.ft	- 40% - + 50%	IP65
GEMINI-W 60W	64W	36	275 (10.83") X 330 (12.99") X 70 mm (2.76")	5.21kg(11.49 lbs)	0.308sq.ft		
GEMINI-W 90W	92W	54	335 (13.19") X 330 (12.99") X 70 mm (2.76")	6.24kg(13.76 lbs)	0.336sq.ft		
GEMINI-W 120W	121W	72	395 (15.55") X 330 (12.99") X 70 mm (2.76")	7.13kg(15.72 lbs)	0.368sq.ft		
Input Voltage: 120-277VAC or 220-240VAC 30W/module							

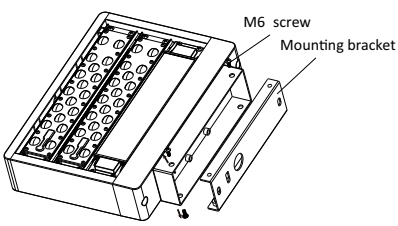
Model No.	System Wattage	No. of leds	Dimensions (L x W x H)	Net Weight	EPA*	Working Environment	IP
GEMINI-W 40W	42W	18	215 (8.46") X 330 (12.99") X 70 mm (2.76")	4.19kg(9.24 lbs)	0.283sq.ft	- 40% - + 50%	IP65
GEMINI-W 80W	84W	36	275 (10.83") X 330 (12.99") X 70 mm (2.76")	5.21kg(11.49 lbs)	0.308sq.ft		
GEMINI-W 120W	125W	54	335 (13.19") X 330 (12.99") X 70 mm (2.76")	6.24kg(13.76 lbs)	0.336sq.ft		
GEMINI-W 160W	166W	72	395 (15.55") X 330 (12.99") X 70 mm (2.76")	7.13kg(15.72 lbs)	0.368sq.ft		
Input Voltage: 120-277VAC or 220-240VAC 40W/module							

Model No.	System Wattage	No. of leds	Dimensions (L x W x H)	Net Weight	EPA*	Working Environment	IP
GEMINI-W 80W	84W	36	275 (10.83") X 330 (12.99") X 70 mm (2.76")	5.21kg(11.49 lbs)	0.308sq.ft	- 40% - + 50%	IP65
GEMINI-W 120W	125W	54	335 (13.19") X 330 (12.99") X 70 mm (2.76")	6.24kg(13.76 lbs)	0.336sq.ft		
GEMINI-W 160W	166W	72	395 (15.55") X 330 (12.99") X 70 mm (2.76")	7.13kg(15.72 lbs)	0.368sq.ft		
Input Voltage: 347-480VAC 40W/module							

LEAVE A COPY FOR THE USER / MAINTENANCE ENGINEER FOR FUTURE REFERENCE

Installation Instruction & Installation Steps

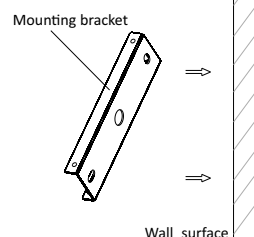
1



M6 screw
Mounting bracket

STEP 1:
1. Unscrew the M6 screws on the mounting bracket along the direction of arrow with Philips screwdriver
See Figure 1.

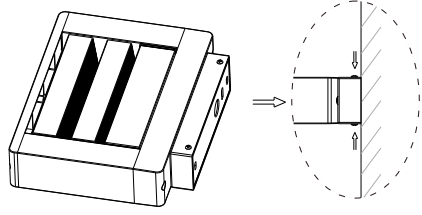
2



Mounting bracket
Wall surface

STEP 2:
Fix the mounting bracket to the wall with expansion screws.
See Figure 2

3



STEP 3:
1. Fix the lamp to the mounting bracket on the wall along the direction of arrow.
2. Tighten the M6 screws with Philips screwdriver at 25 n.m torque.

Safety Notice

WIRING INSTRUCTION

*****IF THERE IS JUNCTION BOX IN CEILING:**

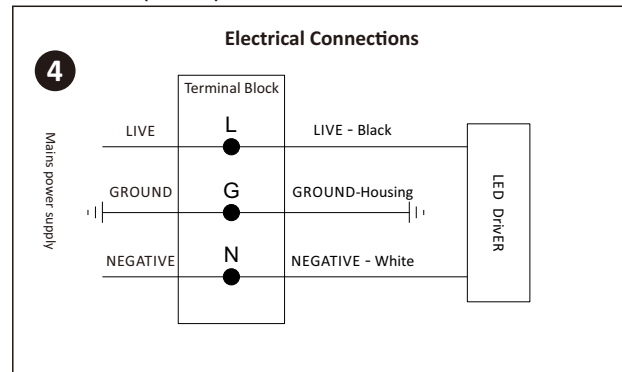
STEP I: Connect the LINE wire in the mains power supply cord to black LINE wire from lightbody .

STEP II: Connect the NEUTRAL wire in the mains power supply cord to white NEUTRAL wire from lightbody .

STEP III: Connect the green grounding wire in the mains power supply cord to green grounding wire from lightbody .

Alternating Current

Input wire H07RN-F 3x1.5mm² (SJOW 3 * 18AWG) or rubber sheathed cable (not supplied). Conductor must have a minimum cross-sectional area of 1.0mm² (18AWG).



STEP 4:
Reference "Electrical Connections" section for completing electrical connections.
See Figure 4

Common causes and solution

Encountered Problem	Possible Cause	Remedy
Module does not light up	Internal wire disconnected	Open fixture and locate loose wires, reconnect connectors or wires and close cover. And retest.
	LED driver failure	Open fixture and check for disconnected wiring. If all wires are fine, replace LED driver with new one and test.
	Module Failure	If all the above remedies are trialed then the light module has most likely failed. Contact us for replacement and warranty information.



This logo indicates that this product must not be disposed of with other waste. Please recycle used lamps to prevent environmental hazard and threats to human health resulting from improper disposal.