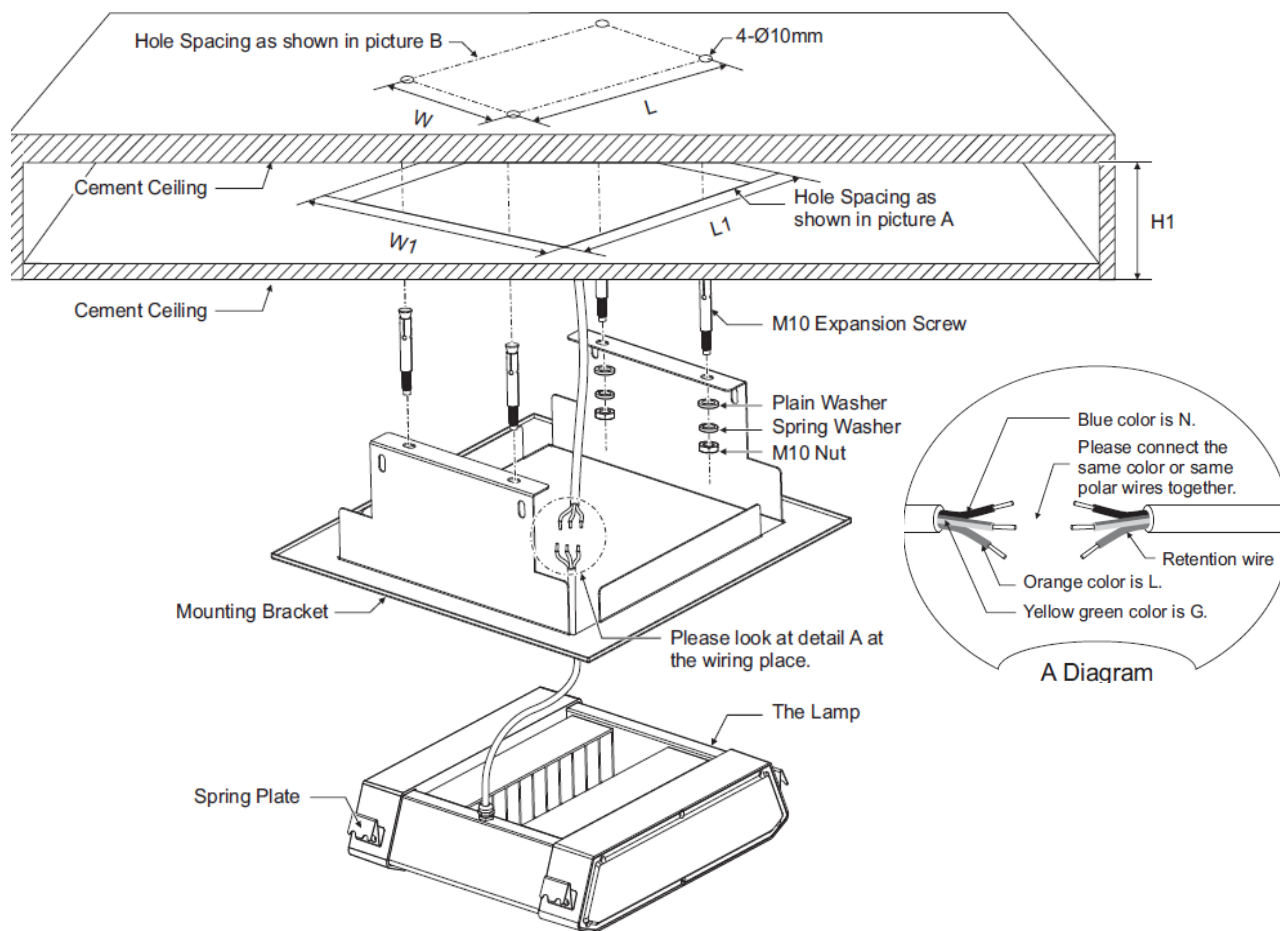


LIBRA Installation Manual

Installation Instructions

Warning: Under any circumstances, the lamp should not be installed on the surface of normal combustible material.

Warning: If the external soft wire is damaged, it should be changed by the manufacturer or its service agency or someone qualified.



Step 1: Cut square slotted hole on the ceiling, spacing as shown in picture A.

Step 2: Drill 2 holes in the ceiling with electrical drill. Spacing as shown in the sketch.

Remark: The length of M10 expansion screw and the depth of the hole should be 60mm or more than 60 mm.

Step 3: Tap the M10 screws into the holes as the sketch shows.

Step 4: Lock mounting bracket into the wall with plain washer, spring washer and M10 nut .

Step 5: Pass the power wire through the hole of mounting bracket. Lift up the lamp and push it up according to arrow in the picture. Ensure the spring plate clasp the bracket firmly.

Step 6: Connect the power wire, the wire should suffer the voltage $\geq 300/500V$, the copper cross-sectional area $\geq 1.0\text{mm}^2$ of 3 core wire inside. Meanwhile, make insulation and water-proof processing. Please look at detail A at the wiring place.