

Product Description:

The UFO-G2 series is the 2nd generation of our UFO highbay fixture. The UFO-G2 has been upgraded to produce a higher, more efficient lumen output and has a variety of accessories available, making the UFO-G2 an ideal solution to most LED lighting needs. The UFO-G2 is also a great value; providing affordable pricing without sacrificing quality. Be sure to contact a member of our sales team for details!

Features:

- **Application:** LED High Bay
- **Mounting:** Hanging Ring, Wall, Hook, Yoke, Pendant
- **Warranty:** 5 Years
- **LED Source:** Osram/Lumileds 3030
- **Operating Temperature:** -40°F ~ 131°F
- **Power Factor:** >0.90

Technical Data:

Certifications	ETL
CRI	≥ 70 (80 & 90 available)
IP Rating	IP65 / IP67 available
CCT	3000K ~5700K
Input Voltage	90-305V (347-480V optional)



Mounting Options:

Hanging Ring



Hanging Ring with 304-Stainless Steel Hook



Wall Mount



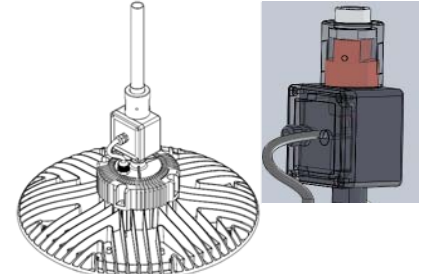
Yoke Mount

(Can be used for 1/2" or 3/4" NPT Pendant)



Pendant Mount Connector

(1/2" or 3/4" NPT)



Specifications:

Standard Lumen Option:

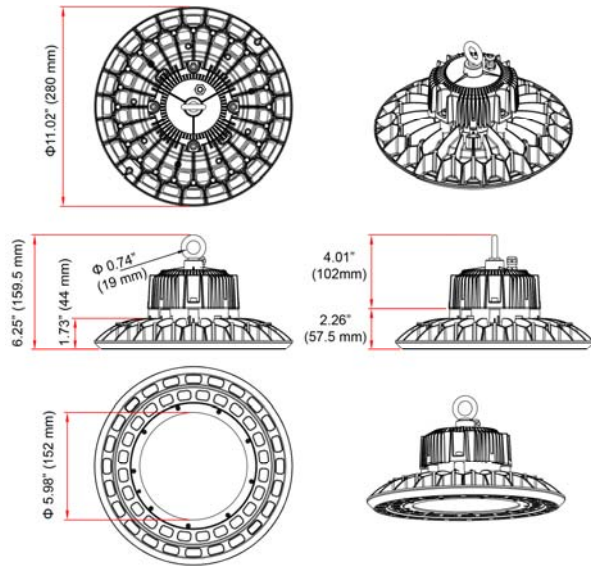
Fixture Model	Beam Angle	Total Lumens (5000K)	Efficacy LPW	Dimension (Diameter x Height)	Weight (lbs)
UFO-70W-G2	60°	11,930	170	Φ 11.02" x 6.25"	5.72
	90°	11,856	169		
	120°	12,089	173		
UFO-90W-G2	60°	15,488	172		
	90°	15,403	171		
	120°	15,654	174		
UFO-120W-G2	60°	20,186	168	Φ 13.3" x 6.53"	8.14
	90°	20,262	169		
	120°	20,459	170		
UFO-150W-G2	60°	24,900	166		
	90°	24,876	166		
	120°	25,752	172		
UFO-200W-G2	60°	32,172	161	Φ 15.7" x 6.57"	10.12
	90°	31,981	160		
	120°	32,388	162		
UFO-300W-G2	120°	50,220	167	Φ 18.1" x 7.75"	12.54

High Lumen Option:

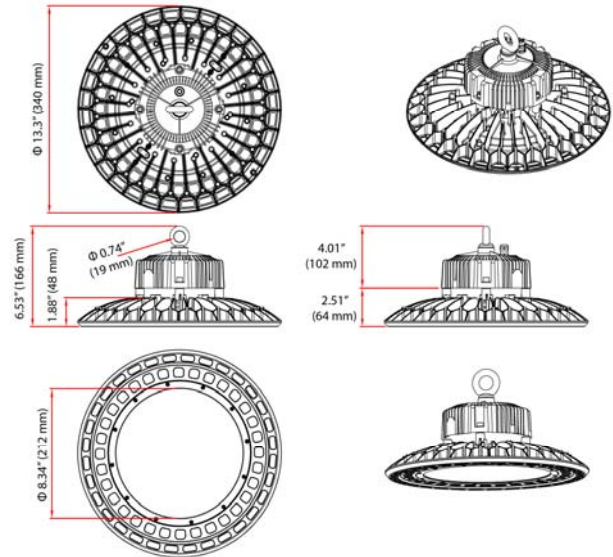
Fixture Model	Beam Angle	Total Lumens (5000K)	Efficacy LPW	Dimension (Diameter x Height)	Weight (lbs)
UFO-70W-G2H	120° only	12,791	183	Φ 11.02" x 6.25"	5.72
UFO-90W-G2H		16,664	185		
UFO-120W-G2H		21,779	181	Φ 13.3" x 6.53"	8.14
UFO-150W-G2H		27,382	183		
UFO-200W-G2H		34,438	172	Φ 15.7" x 6.57"	10.12
UFO-300W-G2H		53,117	177	Φ 18.1" x 7.75"	12.54

Dimensions:

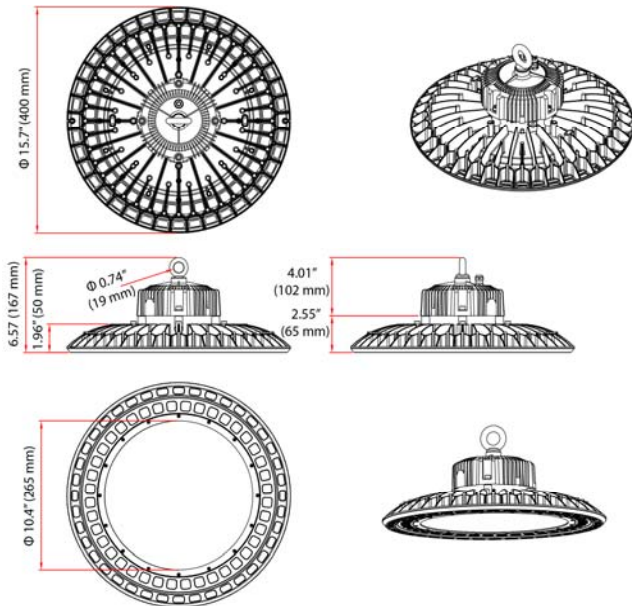
70W & 90W



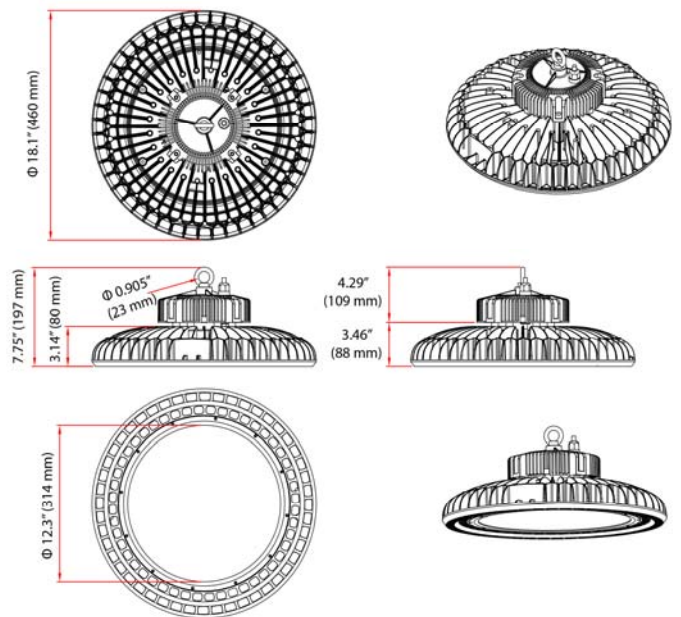
120W & 150W



200W

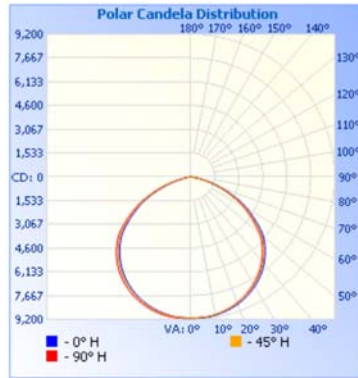


300W



Photometrics:

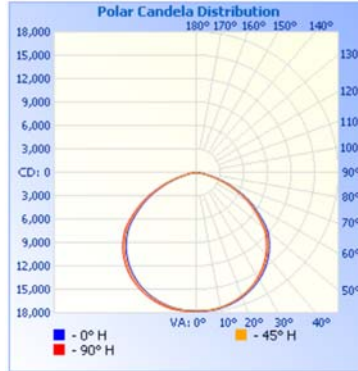
UFO-150W-G2-50K-120°



	Center Beam fc	Beam Width	
6.7ft	203 fc	20.7 ft	20.7 ft
13.3ft	51.5 fc	41.0 ft	41.1 ft
20.0ft	22.8 fc	61.7 ft	61.9 ft
26.7ft	12.8 fc	82.3 ft	82.6 ft
33.3ft	8.22 fc	102.7 ft	103.0 ft
40.0ft	5.69 fc	123.3 ft	123.7 ft

■ Vert. Spread: 114.1°
■ Horiz. Spread: 114.2°

UFO-300W-G2-50K-120°

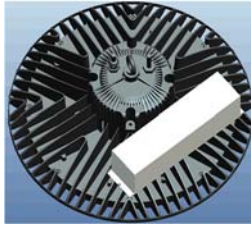


	Center Beam fc	Beam Width	
6.7ft	396 fc	20.7 ft	20.7 ft
13.3ft	100 fc	41.0 ft	41.1 ft
20.0ft	44.4 fc	61.7 ft	61.9 ft
26.7ft	24.9 fc	82.3 ft	82.6 ft
33.3ft	16.0 fc	102.7 ft	103.0 ft
40.0ft	11.1 fc	123.3 ft	123.7 ft

■ Vert. Spread: 114.1°
■ Horiz. Spread: 114.2°

Accessories:

Emergency Backup Battery



10W for 3 hours
100-280VAC
Standard: IP40
IP65 housing available (remote install)

IP65 EM Housing:



Polycarbonate Dome



Ordering Guide:

UFO-150W G2	90-305V	BL	50K	HR	120° CL	
-------------	---------	----	-----	----	---------	--

Model:	Voltage:	Color:	CCT:	Mount (images on pg 1):	Beam Angle:	Optional Accessories:
Standard Lumen:	90-305V	BL: Black	30K	HR: Hanging Ring	<u>Clear</u>	DM: 1-10V Dimming
UFO-70W-G2	347-480V	WH: White	40K	304HK: Hanging Ring + 304 Stainless Steel Hook	60° CL*	MS: Motion Sensor
UFO-90W-G2		(Only available with linear driver)	50K	WM: Wall	90° CL*	WG: Wire Guard
UFO-120W-G2			57K	YM: Yoke Mount (can be used for 1/2" or 3/4" NPT Pendant)	120° CL	UL: 8W Up-Light LED Strip
UFO-150W-G2				PMC 1/2: 1/2" NPT Pendant Connector	<u>Frosted</u>	AL: Aluminum Dome
UFO-200W-G2				PMC 3/4: 3/4" NPT Pendant Connector	120° FR	PCD: Polycarbonate Dome
UFO-300W-G2 (120° only):						CRI80 / CRI90
UFO-70W-G2H						IP67
UFO-90W-G2H						EMIP40: IP40 Emergency Back up Battery
UFO-120W-G2H						EMIP65: IP65 Remote Emergency Back up Battery
UFO-150W-G2H						SC-Length: Safety Cable + Length
UFO-200W-G2H						IP65CC-Length: Extended Cord with IP65 connector + Length
UFO-300W-G2H						(standard cord length is 1-ft)

*60° and 90° beam angle not available in 300W