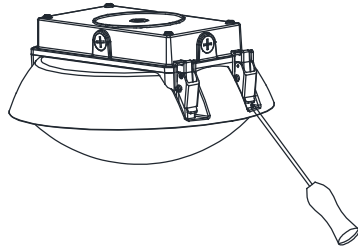
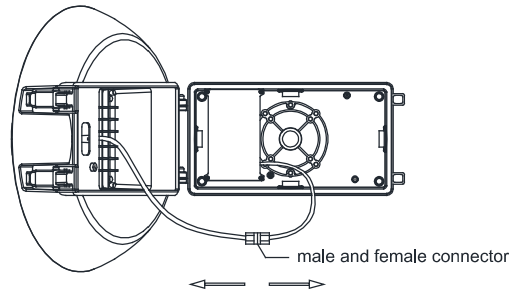


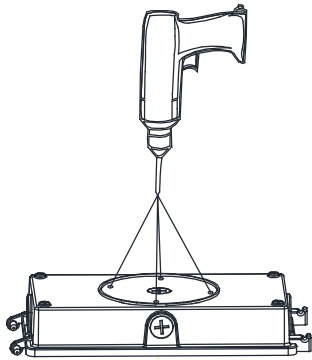
## Installation---- CEILING MOUNTED



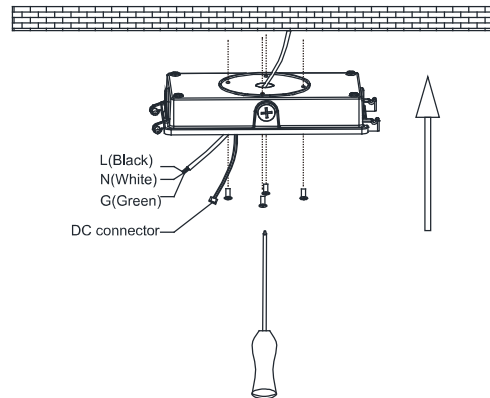
1. Pry open the spring buckle using a suitable screwdriver.



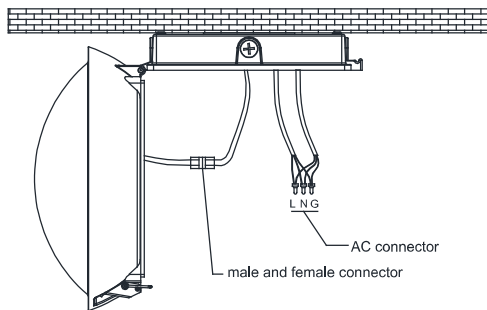
2. Unplug the male and female connectors, and then separate lampbody from the back plate.



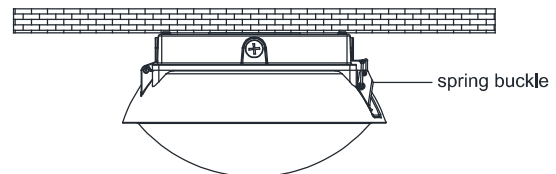
3. Create four holes by knocking-out the four points indicated in A, B, C, D.



4. Lock the back plate to the wall or J-box by a suitable screwdriver.

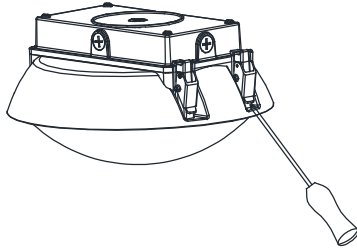


5. Use the hinge to lock the lampbody to the back plate firmly, and then connect the main power. Connect the male and female connectors together.

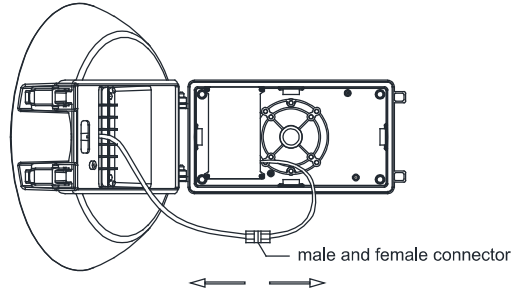


6. Close the lampbody and spring buckle. The installation is finished.

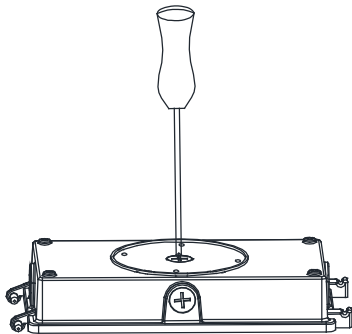
## Installation---- POLE MOUNTED



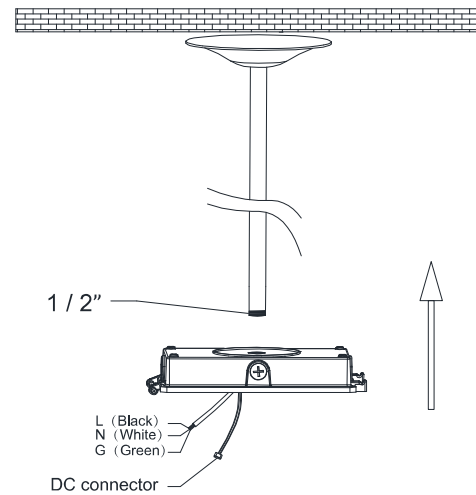
1. Pry open the spring buckle using a suitable screwdriver.



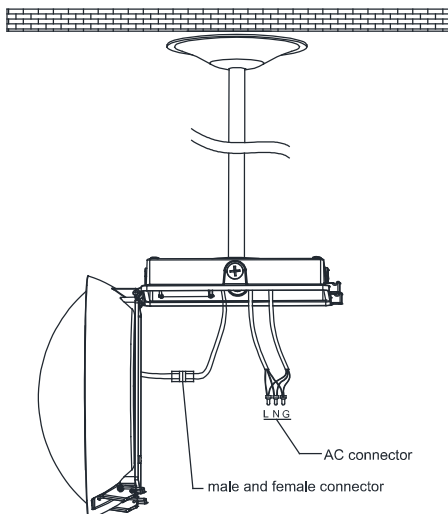
2. Unplug the male and female connectors, and then separate lampbody from the back plate.



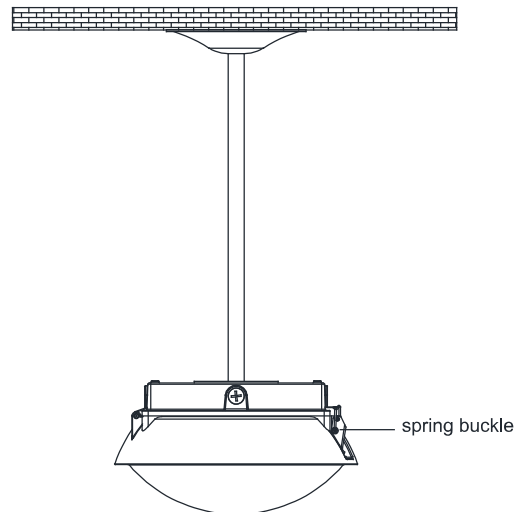
3. Take down 1/2" screw from the back plate by a suitable screwdriver.



4. Screw the back plate and 1/2" conduit pole together tightly.



5. Use the hinge to lock the lampbody to the back plate firmly, and then connect the main power. Connect the male and female connectors together.



6. Close the lampbody and spring buckle. The installation is finished.